



ENGINE

| | |
|------------------------------------|---|
| Model | FPT F5HFL413J*A002 |
| Emissions Certification | Tier 4 Final Certified |
| Cylinders | 4 |
| Displacement | 207.5 in ³ (3.4 L) |
| Fuel injection | Common rail |
| Fuel | #2 Diesel |
| Fuel filter | Spin-on w/ in-line strainer |
| Air intake | Cross-flow |
| Cooling | Liquid |
| Engine speeds | RPM |
| High idle - no load | 2200 +/- 50 |
| Rated - full load | 2200 |
| Low idle | 1100 +/- 25 |
| Horsepower @ 2000 RPM – SAE J1349: | |
| Net | 92 hp (69 kW) |
| Gross | 96 hp (72 kW) |
| Engine lubrication: | |
| Pump | Deep sump plate cooler w/ pressurized under-piston nozzles |
| Pump operating angle ratings: | |
| Side-to-side | 35° |
| Fore and aft | 45° |
| Oil filtration | Replaceable, spin-on full-flow cartridge |
| Radiator: | |
| Fins per inch | 10.16 |
| Fan: | |
| Diameter | 26.0 in (662 mm) |
| Ratio | 1.1:1 |

DRIVETRAIN

| | |
|-------------------------|---|
| Dual path hydrostatic: | |
| Pump | Variable axial piston |
| Motor | Variable bent axis piston |
| Max. drawbar pull* | 41,010 lb (182.4 kN) |
| Transmission | Single lever control – electronic straight tracking |
| Transmission oil filter | 4 micron, spin-on replaceable w/ 100 mesh suction screen |
| Travel speeds*: | |
| Forward | 5.2 mph (8.4 kph) |
| Reverse | 5.2 mph (8.4 kph) |
| Parking brakes | Heavy-duty, spring-applied, hydraulic release disc |
| Steering brakes | Hydrostatic |
| Final drive | 2 helical gear reduction to planetary output |
| Ratio | 61.4:1 |
| Transmission cooling: | |
| Type | Oil to air |
| Core size | 199.5 in ² (1 287 cm ²) |

NOTE: *Measured using standard track chain. Increase travel speeds by 4% and reduce drawbar pull by 4% with the optional Max-Life track chain.

ELECTRICAL

| | |
|-------------------|---|
| Alternator | 120 amp |
| Battery | (2) 12-volt, low-maintenance 925 cold-cranking amps @ -4° F (-20° C) |
| Electrical System | 24 Volts |

OPERATOR ENVIRONMENT

ROPS Canopy: Isolation mounted, Single lever control for speed, steering and direction; Vinyl mechanical suspension seat that tilts for access, Retractable 3 in (76 mm) seat belt; Adjustable armrests; Foot rests; Rearview mirror.

Optional ROPS cab: Cloth air suspension seat w/ back adjustment; Two door windshield wipers; Rear wiper, Dome light; 12-volt accessory outlet; Headliner; Floor mat; Blue tooth Radio; Heat/AC, additional rear mirror

Warning lights:

Air filter; Alternator; Diagnostic fault indicator; Engine coolant temperature; Engine oil pressure; Hydraulic filter; Low fuel level; Park brake engaged; Service soon indicator; Transmission filter; Transmission charge pressure; Transmission temperature.

Gauges:

Battery voltage; Fuel level; Digital hour meter/ tachometer/diagnostic/service reminder; Transmission oil temperature; Transmission speed indicator; Water temperature.

Audible warnings:

Engine coolant temperature; Engine oil pressure; Low fuel level; Transmission charge pressure; Temperature/hydraulic temperature.

OPERATING WEIGHT

Unit equipped w/ cab, full fuel tank, full hydraulic tank, 170 lb (77 kg) operator, 18 in SALT HD Chain, 96 in Blade Width, Drawbar, and All Other Standard Equipment

| | |
|---------------------|----------------------|
| Long track | 20,168 lb (9 148 kg) |
| Wide track | 20,228 lb (9 175 kg) |
| Low ground pressure | 20,228 lb (9 175 kg) |

Add-on weights:

| | |
|-----------------------|----------------------|
| Drawbar | Incl. 128 lb (58 kg) |
| Ripper – 3 shank | 1,400 lb (635 kg) |
| Winch | 1,960 lb (889 kg) |
| Front counterweight | 818 lb (371 kg) |
| Open ROPS | -560 lb (-254 kg) |
| Radiator Brush Screen | 21 lb (9.5 kg) |
| Rear Screen | 71 lb (32 kg) |

Blades:

| | |
|--------------|-------------------------|
| 96 in Blade | Incl. 1,025 lb (465 kg) |
| 108 in Blade | 104 lb (47 kg) |
| 124 in Blade | 262 lb (119 kg) |

Tracks:

| | |
|-----------------------------|-------------------------|
| SALT Chain 18 in | Incl. 1,547 lb (702 kg) |
| SALT Chain 24 in | 560 lb (254 kg) |
| SALT Chain 28 in | 424 lb (935 kg) |
| Max-Life Closed Chain 18 in | 150 lb (68 kg) |
| Max-Life Closed Chain 24 in | 710 lb (322 kg) |
| Max-Life Closed Chain 28 in | 1,084 lb (492 kg) |

NOTE: Subtract 26 kg for Max-Life Open

HYDRAULICS

| | |
|--|-----------------------|
| Pump flow @ 2000 RPM @ 3,000 psi (20 684 kPa) | 20.3 gpm (78.8 L/min) |
|--|-----------------------|

| | |
|---------------|---------------------|
| Lift cylinder | Two (2) |
| Bore diameter | 3.50 in (88.9 mm) |
| Rod diameter | 1.75 in (44.4 mm) |
| Stroke | 14.26 in (394.5 mm) |

| | |
|----------------|---------------------|
| Angle cylinder | Two (2) |
| Bore diameter | 3.50 in (88.9 mm) |
| Rod diameter | 1.75 in (44.4 mm) |
| Stroke | 13.46 in (342.0 mm) |

| | |
|---------------|--------------------|
| Tilt cylinder | One (1) |
| Bore diameter | 3.50 in (88.9 mm) |
| Rod diameter | 1.75 in (44.4 mm) |
| Stroke | 5.39 in (137.0 mm) |

SERVICE CAPACITIES

| | |
|-------------------------------|--------------------|
| Fuel tank | 50.0 gal (189.0 L) |
| Engine oil w/ filter | 8.45 qt (8.0 L) |
| Engine oil w/o filter | 7.65 qt (7.3 L) |
| Engine cooling system | 5.75 gal (21.8 L) |
| Hydraulic reservoir | 26 gal (98.4 L) |
| Final drive – per side | 15.0 qt (14.2 L) |
| Track rollers – each | 0.27 qt (0.26 L) |
| Front idlers – each | 0.35 qt (0.33 L) |
| Carrier rollers – each | 0.2 qt (0.19 L) |
| SALT HD & Max-Life – each pin | 0.68 oz (20 ml) |

OTHER SPECIFICATIONS

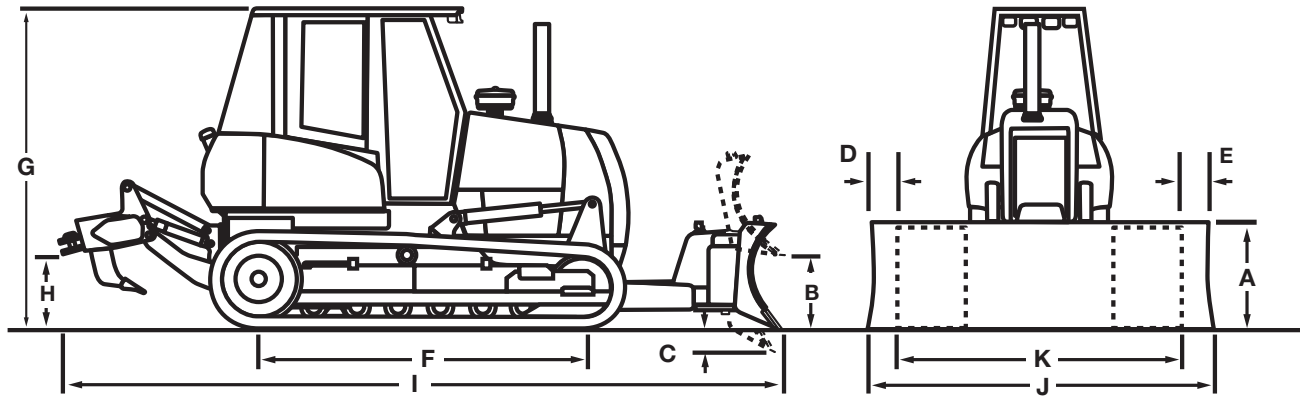
| | |
|----------------------------|---------------------|
| Undercarriage: | |
| Track adjustment | Hydraulic |
| Frame | Rigid suspension |
| Length of track on ground: | |
| SALT-HD track | 89.2 in (2 266 mm) |
| Max-Life track | 90.1 in (2 288 mm) |
| Track link pitch | 6.75 in (171.45 mm) |
| Track shoe height | 1.85 in (47 mm) |
| Pin diameter | 1.31 in (33.3 mm) |
| Track link pitch | 6.73 in (171 mm) |
| Track shoe height | 2.06 in (52.3 mm) |
| Pin diameter | 1.32 in (33 mm) |
| Bushing diameter: | |
| SALT HD track | 2.24 in (57 mm) |
| Max-Life track | 3.0 in (76.2 mm) |
| Track shoes per side | 39 |
| Track rollers per side | 6 |
| Carrier rollers per side | 1 |
| Track roller rail diameter | 7.48 in (190 mm) |

| | |
|------------------|---|
| Track on ground: | |
| Shoe area: | |
| 18 in (457 mm) | 3,212 in ² (20 720 cm ²) |
| 20 in (508 mm) | 3,569 in ² (23 023 cm ²) |
| 24 in (610 mm) | 4,285 in ² (27 645 cm ²) |
| 28 in (711 mm) | 4,995 in ² (32 223 cm ²) |

| | |
|--|--|
| Track: | |
| Long track: | |
| 18 in (457 mm) closed grousers and SALT HD | |
| 18 in (457 mm) open grousers and Max-Life | |
| 20 in (508 mm) closed grousers and SALT HD | |
| 20 in (508 mm) open grousers and Max-Life | |
| Wide track: | |
| 20 in (508 mm) closed grousers and SALT HD | |
| 20 in (508 mm) open grousers and Max-Life | |
| 24 in (610 mm) closed grousers and SALT HD | |
| 24 in (610 mm) open grousers and Max-Life | |
| Low ground pressure: | |
| 28 in (711 mm) closed grousers and SALT HD | |
| 28 in (711 mm) open grousers and Max-Life | |

| | |
|-------------------------|-------------------------|
| Blade: | |
| Variable blade pitch | 52° – 60° |
| Lift speed – per second | 19.7 in (500 mm) |
| Cutting edge | Reversible, replaceable |
| Width | 8.0 in (203 mm) |
| Thickness | 0.625 in (16 mm) |

| | |
|-----------------------|--------------------|
| Ripper: | |
| Max. penetration | 14.4 in (365 mm) |
| Width | 71.1 in (1 806 mm) |
| Cut width | 69.5 in (1 765 mm) |
| Max. ground clearance | 16.4 in (417 mm) |
| Max. number of shanks | 3 |
| Tooth spacing: | |
| w/ 3 teeth | 30.9 in (785 mm) |
| Hydraulic cylinder | |
| Diameter | 3.9 in (99 mm) |
| Stroke | 8.4 in (213 mm) |
| Rod | 1.75 in (44 mm) |



Line drawings are for illustrative purpose only and may not be exact representation of unit.

DIMENSIONS

| | Long Track (LT) | Wide Track (WT) | Low Ground Pressure (LGP) |
|--|---|---|---|
| Blade width | 96 in (2 438 mm) | 108 in (2 731 mm) | 124 in (3 160 mm) |
| SAE blade capacity | 1.69 yd ³ (1.29 m ³) | 1.89 yd ³ (1.44 m ³) | 2.22 yd ³ (1.70 m ³) |
| A. Blade height | 33.1 in (841 mm) | 33.1 in (841 mm) | 33.1 in (841 mm) |
| B. Blade lift above ground | 33.85 in (860 mm) | 33.85 in (860 mm) | 33.85 in (860 mm) |
| C. Blade depth below ground | 22.84 in (580 mm) | 22.84 in (580 mm) | 22.84 in (580 mm) |
| Blade angle both directions | 22.7° | 22.7° | 22.7° |
| D. Cast reach | 9.11 in (231.3 mm) | 10.4 in (214.3 mm) | 14.3 in (362.3 mm) |
| E. Cut reach | -2.63 in (-66.8 mm) | -3.3 in (-84.1 mm) | 2.5 in (64.2 mm) |
| Blade tilt, each end (+/- 9°) | 7.64 in (194 mm) | 8.54 in (217 mm) | 9.86 in (250 mm) |
| Track gauge | 62 in (1.57 m) | 70 in (1.78 m) | 70 in (1.78 m) |
| Maximum shoe width | 20 in (508 mm) | 24 in (610 mm) | 28 in (711 mm) |
| F. Length of track on ground: | | | |
| SALT HD | 89.2 in (2.26 m) | 89.2 in (2.26 m) | 89.2 in (2.26 m) |
| Max-Life | 90.1 in (2.28 m) | 90.1 in (2.28 m) | 90.1 in (2.28 m) |
| Area of track on ground | 3,606 in ² (2.3 m ²) | 4,330 in ² (2.8 m ²) | 5,047 in ² (3.3 m ²) |
| Ground pressure | 5.36 psi (0.37 bar) | 4.61 psi (0.32 bar) | 4.04 psi (0.28 bar) |
| G. Height to top of ROPS canopy with air conditioning | 9 ft 1 in (2 755 mm) | 9 ft 1 in (2 755 mm) | 9 ft 1 in (2 755 mm) |
| H. Ground clearance | 14.0 in (355 mm) | 14.0 in (355 mm) | 14.0 in (355 mm) |
| Length: | | | |
| I. Blade straight with drawbar | 14 ft 1 in (4 284 mm) | 14 ft 1 in (4 284 mm) | 14 ft 1 in (4 284 mm) |
| Blade straight with ripper | 16 ft 9 in (5 110 mm) | 16 ft 9 in (5 110 mm) | 16 ft 9 in (5 110 mm) |
| Width: | | | |
| J. Blade straight | 8 ft 0 in (2 438 mm) | 9 ft 0 in (2 731 mm) | 10 ft 4 in (3 160 mm) |
| Blade angled (Transport Width) | 7 ft 7 in (2 316 mm) | 8 ft 6.4 in (2 602 mm) | 9 ft 9 in (2 965 mm) |
| K. Over track | 6 ft 7 in (2 018 mm) | 7 ft 7 in (2 304 mm) | 8 ft 2 in (2 488 mm) |

NOTE: Ground clearance and overall height dimensions are with the grousers fully penetrated. Add 2.07 in (52.5 mm) if unit is on solid surface.

STANDARD EQUIPMENT

OPERATOR ENVIRONMENT

See page 1

ENGINE

FPT F5HFL413J*A002
Tier 4 Final Certified
CEGR + DPF
Cold start aid – glow plugs
Automatic fan belt tensioner
Integral engine oil cooling
Fuel filter
Dual element air cleaner
120 amp alternator
950 CCA (2) 12-volt batteries
Hinged engine side panels

DRIVETRAIN

Dual path infinitely variable, single-lever controlled hydrostatic drive, with electronic straight tracking, power turns and counter-rotation
Final drive:
Triple reduction; helical gear/planetary decelerator with hydrostatic drive retardation
Spring-applied hydraulic release parking brake
15 incremental speed settings and adjustable forward/reverse speed differential setting
Operator preference settings for max. speed, shuttle sensitivity and steering sensitivity
Decelerator with selectable engine decel mode or transmission braking mode

OPTIONAL EQUIPMENT

REAR MOUNTED EQUIPMENT

Ripper – 5 position with 3 shanks
Hydraulic pump with PTO
Drawbar

BLADES

96 in (2.44 m) LT
108 in (2.73 m) LT/WT/LGP
124 in (3.16 m) WT/LGP

BLADE

52° – 60° variable pitch, with integral adjustment tool
Single lever electro-hydraulic control for blade lift, angle, and tilt

UNDERCARRIAGE

Hydraulic track adjusters
Easy clean track covers
Sealed and Lubricated Track Chain (SALT)
Permanently lubricated track and carrier rollers
Track adjuster guard
Track guides – front and rear
Shock resistance idler mounting
HD track covers
Undercarriage Spade Shovel holder
Heavy duty track frame, sprocket and mounting pads
High visibility track idler

OTHER

Backup alarm
Horn
Premium LED work light package
4 total in front
2 total in rear
Master disconnect switch
Turbine Pre-cleaner
Front pull hook
Drawbar
Sweeps
Environmental Drain

SCREENS

Radiator brush screen
ROPS side screen
ROPS/CAB rear

OTHER

Case Max-Life track
Front counterweight
Severe Cold Weather Package
Rear-view Camera (Cab only)

4-Spool electro-hydraulic valve with plugs for field installed ripper
Transport Protection
Anti-vandalism package
Rear Transmission Guard
Additional Rear mirror (Cabs only)
Hinged grill
Operator's manual enclosure
Diagnostic check ports
Two additional power sources available for heater, air seat, or auxiliary 12-volt port

TELEMATICS

CASE SiteWatch™ 4G Telematics – includes hardware and a 5-yr Advanced data subscription

PROCARE

CASE ProCare – Full Machine Protection Factory Warranty (3-yr/3000-hr), Planned Maintenance (3-yr/2000-hr) and SiteWatch 4G Telematics

PRECISION

Factory Fit CoPilot
Factory Fit 2D Laser
Factory Fit 3D GNSS
Universal Blade Guidance Ready

CaseCE.com

©2023 CNH Industrial America LLC. All rights reserved. CASE is a trademark registered in the United States and many other countries, owned by or licensed to CNH Industrial N.V., its subsidiaries or affiliates. CNH Industrial Capital is a trademark in the United States and many other countries, owned by or licensed to CNH Industrial N.V., its subsidiaries or affiliates. Printed in U.S.A. Contains 10% post-consumer fiber.

IMPORTANT: CASE Construction Equipment Inc. reserves the right to change these specifications without notice and without incurring any obligation relating to such change. Availability of some models and equipment builds vary according to the country in which the equipment is used. The illustrations and text may include optional equipment and accessories and may not include all standard equipment. Your CASE dealer/distributor will be able to give you details of the products and their specifications available in your area.



CASE Construction Equipment is biodiesel-friendly. NOTE: All engines meet current EPA emissions regulations. All specifications are stated in accordance with SAE Standards or Recommended Practices, where applicable.



Always read the Operator's Manual before operating any equipment. Inspect equipment before using it, and be sure it is operating properly. Follow the product safety signs and use any safety features provided.

Form No. CCE202310750M
Replaces Form No. CCE202206750M

750M

3 of 3