

ENGINE

Model Cummins B4.5

Type:
Water-cooled, 4-cycle diesel, 4-cylinder in line,
High pressure common rail system
(electric control), turbocharger with air
cooled intercooler, DOC+DPF+SCR,
EGR free.

Emissions Certification Tier 4 Final/Stage V

Cylinders 4

Displacement 274.6 in³ (4.5 L)

Rated flywheel horse power:

ISO 9249 at 2200 RPM 170 hp (127 kW)

ISO 14396 at 2200 RPM 173 hp (129 kW)

Maximum torque:

ISO 14396 at 1500 RPM 575 ft-lb (780 Nm)

HYDRAULIC SYSTEM

Main pump Variable displacement
piston pump

Max. oil flow at 1800 RPM:

68.9 gpm (261 L/min)

Working circuit pressure:

Boom/Arm/Bucket:

4,975 psi (34.3 MPa) - 5,410 psi (37.3 MPa)
with auto power boost

Swing circuit 3,844 psi (26.5 MPa)

Travel circuit 5,410 psi (37.3 MPa)

Pilot circuit 566 psi (3.9 MPa)

SWING

Swing motor:
Fixed displacement radial piston motor

Maximum swing speed 9.3 RPM

Swing torque 23,307 ft-lb (31 600 Nm)

Brake system Automatic, spring applied
hydraulic released

ELECTRICAL SYSTEM

Voltage 24 V

Alternator 95 Amp

Starter 24 V - 4.8 kW

Battery 2 X 12 V 100 Ah

STEERING

Type Orbitrol steering system

Minimum turning radius 20 ft 8 in (6.3 m)

AXLES

Type:
4 wheel drive with differential, oscillating front
axle with automatic or operator controlled
oscillation lock, fixed rear axle.

Brake type Wet multi-disc

Parking brake type Wet multi-disc integrated
in transmission

UNDERCARRIAGE

Transmission 2 speed hydrostatic powershift

Travel motor Variable displacement
bent-axis axial piston motor

High travel speed (Automatic travel speed shifting):
24.8 mph (40 km/h)

Low travel speed 6.2 mph (10 km/h)

Creep speed 1.9 mph (3 km/h)

Drawbar pull 17,985 lbf (80 kN)

Gradeability 70% (35°)

NOISE

External sound level LwA 99 dB(A)

Operator cab sound pressure level:
LpA 72 dB(A)

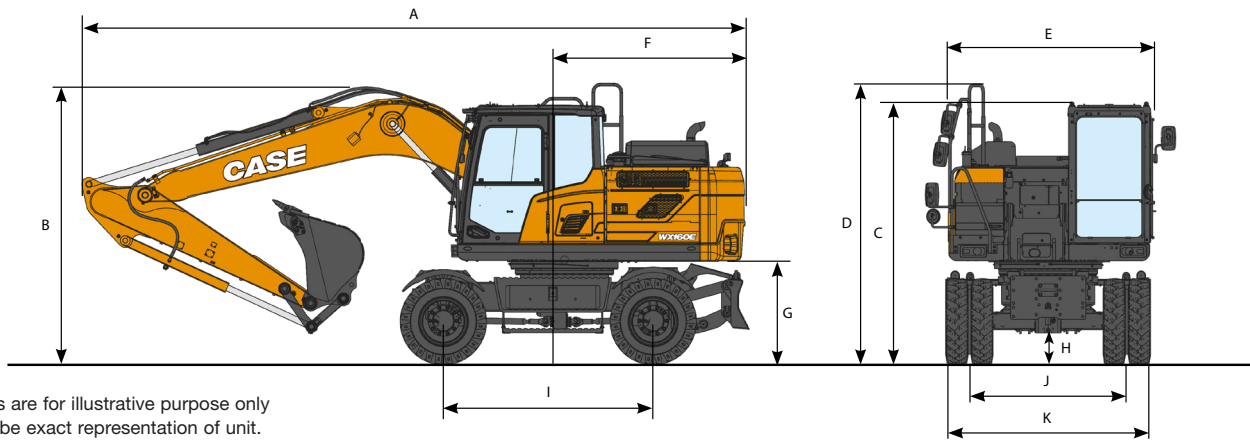
CIRCUIT AND COMPONENT CAPACITIES

Fuel tank 66 gal (250 L)

Hydraulic system 54 gal (204 L)

Hydraulic tank 32 gal (122 L)

DEF tank 12.7 gal (48 L)



Line drawings are for illustrative purpose only and may not be exact representation of unit.

GENERAL DIMENSIONS - MONOBOOM

	8 ft (2.45 m) Arm	6 ft 7 in (2.00 m) Arm	8 ft 6 in (2.60 m) Arm	10 ft 2 in (3.10 m) Arm
A. Overall length (with attachment):				
Traveling	26 ft 10 in (8 180 mm)	27 ft 0 in (8 230 mm)	26 ft 6 in (8 065 mm)	26 ft 5 in (8 060 mm)
Transportation	26 ft 8 in (8 140 mm)	26 ft 10 in (8 190 mm)	26 ft 4 in (8 025 mm)	26 ft 4 in (8 020 mm)
B. Overall height (to top of boom):				
Traveling	11 ft 6 in (3 510 mm)	11 ft 7 in (3 520 mm)	12 ft 5 in (3 790 mm)	12 ft 11 in (3 940 mm)
Transportation	9 ft 9 in (2 970 mm)	10 ft 2 in (3 095 mm)	10 ft 8 in (3 250 mm)	11 ft 7 in (3 530 mm)
C. Cab height	10 ft 7 in (3 230 mm)	10 ft 7 in (3 230 mm)	10 ft 7 in (3 230 mm)	10 ft 7 in (3 230 mm)
D. Overall height (to top of handrail)	11 ft 4 in (3 450 mm)	11 ft 4 in (3 450 mm)	11 ft 4 in (3 450 mm)	11 ft 4 in (3 450 mm)
E. Upper structure overall width	8 ft 2 in (2 485 mm)	8 ft 2 in (2 485 mm)	8 ft 2 in (2 485 mm)	8 ft 2 in (2 485 mm)
F. Swing (rear end) radius	7 ft 5 in (2 250 mm)	7 ft 5 in (2 250 mm)	7 ft 5 in (2 250 mm)	7 ft 5 in (2 250 mm)
G. Clearance height under upper structure	4 ft 2 in (1 265 mm)	4 ft 2 in (1 265 mm)	4 ft 2 in (1 265 mm)	4 ft 2 in (1 265 mm)
H. Minimum ground clearance	1 ft 3 in (370 mm)	1 ft 3 in (370 mm)	1 ft 3 in (370 mm)	1 ft 3 in (370 mm)
I. Wheel base (center-to-center of wheels)	8 ft 6 in (2 600 mm)	8 ft 6 in (2 600 mm)	8 ft 6 in (2 600 mm)	8 ft 6 in (2 600 mm)
J. Wheel gauge	6 ft 5 in (1 944 mm)	6 ft 5 in (1 944 mm)	6 ft 5 in (1 944 mm)	6 ft 5 in (1 944 mm)
	6 ft 11 in (2 114 mm)	6 ft 11 in (2 114 mm)	6 ft 11 in (2 114 mm)	6 ft 11 in (2 114 mm)
K. Undercarriage overall width	8 ft 4 in (2 530 mm)	8 ft 4 in (2 530 mm)	8 ft 4 in (2 530 mm)	8 ft 4 in (2 530 mm)

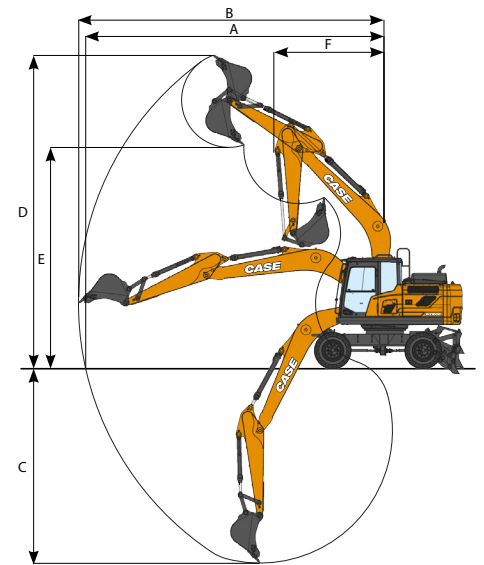
WEIGHT - MONOBOOM

Rear blade	38,676 lb (17 580 kg)
Rear blade and front stabilizers	41,360 lb (18 800 kg)
Standard counterweight	6,415 lb (2 910 kg)
Heavy counterweight	6,415 lb (2 910 kg) + 1,102 lb (500 kg)

NOTE: With 8 ft (2.45 m) arm, 24.7 ft³ (0.70 m³) bucket, 10.00x20 twin tires, standard counterweight, operator, lubricant, coolant, full fuel tank.

PERFORMANCE - MONOBOOM

	8 ft (2.45 m)	6 ft 7 in (2 m)	8 ft 6 in (2.6 m)	10 ft 2 in (3.1 m)
Boom length	16 ft 5 in (5 000 mm)	16 ft 5 in (5 000 mm)	16 ft 5 in (5 000 mm)	16 ft 5 in (5 000 mm)
A. Maximum reach at groundline	28 ft 3 in (8 610 mm)	26 ft 8 in (8 140 mm)	28 ft 5 in (8 660 mm)	29 ft 10 in (9 090 mm)
B. Maximum reach	28 ft 11 in (8 820 mm)	27 ft 5 in (8 360 mm)	29 ft 1 in (8 865 mm)	30 ft 6 in (9 285 mm)
C. Max. digging depth	18 ft 5 in (5 610 mm)	16 ft 11 in (5 160 mm)	18 ft 11 in (5 760 mm)	20 ft 6 in (6 260 mm)
D. Max. digging height	29 ft 7 in (9 010 mm)	28 ft 4 in (8 640 mm)	28 ft 11 in (8 810 mm)	29 ft 3 in (8 920 mm)
E. Max. dumping height	20 ft 10 in (6 360 mm)	19 ft 9 in (6 030 mm)	20 ft 4 in (6 210 mm)	20 ft 10 in (6 350 mm)
F. Min. swing radius	10 ft 5 in (3 170 mm)	11 ft 5 in (3 480 mm)	11 ft 4 in (3 450 mm)	11 ft 6 in (3 500 mm)



DIGGING FORCE - MONOBOOM

	8 ft (2.45 m) Arm	6 ft 7 in (2 m) Arm	8 ft 6 in (2.6 m) Arm	10 ft 2 in (3.1 m) Arm
Arm digging force	17,310 lbf (77 kN)	21,806 lbf (97 kN)	17,085 lbf (76 kN)	15,062 lbf (67 kN)
with Auto power up	18,883 lbf (84 kN)	23,829 lbf (106 kN)	18,658 lbf (83 kN)	16,410 lbf (73 kN)
Bucket digging force	25,852 lbf (115 kN)	25,852 lbf (115 kN)	25,852 lbf (115 kN)	25,852 lbf (115 kN)
with Auto power up	28,100 lbf (125 kN)	28,100 lbf (125 kN)	28,325 lbf (126 kN)	28,325 lbf (126 kN)

LIFTING CAPACITIES - MONOBOOM

Load/Lift Point Height	LOAD RADIUS										MAXIMUM REACH			
	4 ft 11 in (1.5 m)		9 ft 10 in (3.0 m)		14 ft 9 in (4.5 m)		19 ft 8 in (6.0 m)		24 ft 7 in (7.5 m)		REACH	CAPACITY		
	END	SIDE	END	SIDE	END	SIDE	END	SIDE	END	SIDE	@	END	SIDE	
REAR BLADE DOWN - Mono boom 16 ft 5 in (5.0 m), arm 6 ft 7 in (2.00 m), 6,415 lb (2 910 kg) counterweight														
24 ft 7 in (7.5 m)												-	-	-
19 ft 8 in (6.0 m)					10,053 lb (4 560 kg)*	10,053 lb (4 560 kg)*						18 ft 0 in (5.6 m)	10,097 lb (4 580 kg)*	7,143 lb (3 240 kg)
14 ft 9 in (4.5 m)					11,420 lb (5 180 kg)*	9,855 lb (4 470 kg)	9,766 lb (4 430 kg)	6,305 lb (2 860 kg)				21 ft 0 in (6.47 m)	8,642 lb (3 920 kg)	5,578 lb (2 530 kg)
9 ft 10 in (3.0 m)					13,867 lb (6 290 kg)*	9,193 lb (4 170 kg)	9,524 lb (4 320 kg)	6,085 lb (2 760 kg)				22 ft 0 in (6.9 m)	7,672 lb (3 480 kg)	4,916 lb (2 230 kg)
4 ft 11 in (1.5 m)					14,176 lb (6 430 kg)	8,642 lb (3 920 kg)	9,237 lb (4 190 kg)	5,820 lb (2 640 kg)				22 ft 0 in (6.99 m)	7,408 lb (3 360 kg)	4,696 lb (2 130 kg)
0 ft (0 m)					13,867 lb (6 290 kg)	8,378 lb (3 800 kg)	9,083 lb (4 120 kg)	5,688 lb (2 580 kg)				22 ft 0 in (6.73 m)	7,738 lb (3 510 kg)	4,872 lb (2 210 kg)
-4 ft 11 in (-1.5 m)			21,958 lb (9 960 kg)*	15,521 lb (7 040 kg)	13,867 lb (6 290 kg)	8,378 lb (3 800 kg)	9,105 lb (4 130 kg)	5,710 lb (2 590 kg)				20 ft 0 in (6.1 m)	8,907 lb (4 040 kg)	5,600 lb (2 540 kg)
-9 ft 10 in (-3.0 m)			17,306 lb (7 850 kg)*	15,917 lb (7 220 kg)	12,214 lb (5 540 kg)*	8,642 lb (3 920 kg)						16 ft 0 in (4.94 m)	10,560 lb (4 790 kg)*	7,650 lb (3 470 kg)

REAR BLADE UP - Mono boom 16 ft 5 in (5.0 m), arm 6 ft 7 in (2.00 m), 6,415 lb (2 910 kg) counterweight														
24 ft 7 in (7.5 m)												-	-	-
19 ft 8 in (6.0 m)					10,053 lb (4 560 kg)*	9,281 lb (4 210 kg)						18 ft 0 in (5.6 m)	10,097 lb (4 580 kg)*	6,482 lb (2 940 kg)
14 ft 9 in (4.5 m)					11,420 lb (5 180 kg)*	8,907 lb (4 040 kg)	9,766 lb (4 430 kg)	5,710 lb (2 590 kg)				21 ft 0 in (6.47 m)	8,642 lb (3 920 kg)	5,049 lb (2 290 kg)
9 ft 10 in (3.0 m)					13,867 lb (6 290 kg)*	8,289 lb (3 760 kg)	9,524 lb (4 320 kg)	5,490 lb (2 490 kg)				22 ft 0 in (6.9 m)	7,672 lb (3 480 kg)	4,431 lb (2 010 kg)
4 ft 11 in (1.5 m)					14,176 lb (6 430 kg)	7,738 lb (3 510 kg)	9,237 lb (4 190 kg)	5,247 lb (2 380 kg)				22 ft 0 in (6.99 m)	7,408 lb (3 360 kg)	4,233 lb (1 920 kg)
0 ft (0 m)					13,867 lb (6 290 kg)	7,474 lb (3 390 kg)	9,083 lb (4 120 kg)	5,093 lb (2 310 kg)				22 ft 0 in (6.73 m)	7,738 lb (3 510 kg)	4,387 lb (1 990 kg)
-4 ft 11 in (-1.5 m)			21,958 lb (9 960 kg)*	13,625 lb (6 180 kg)	13,867 lb (6 290 kg)	7,474 lb (3 390 kg)	9,105 lb (4 130 kg)	5,115 lb (2 320 kg)				20 ft 0 in (6.1 m)	8,907 lb (4 040 kg)	5,027 lb (2 280 kg)
-9 ft 10 in (-3.0 m)			17,306 lb (7 850 kg)*	14,021 lb (6 360 kg)	12,214 lb (5 540 kg)*	7,738 lb (3 510 kg)						16 ft 0 in (4.94 m)	10,560 lb (4 790 kg)*	6,878 lb (3 120 kg)

REAR BLADE DOWN - Mono boom 16 ft 5 in (5.0 m), arm 8 ft 0 in (2.45 m), 6,415 lb (2 910 kg) counterweight														
24 ft 7 in (7.5 m)												15 ft 0 in (4.77 m)	7,011 lb (3 180 kg)*	7,011 lb (3 180 kg)*
19 ft 8 in (6.0 m)							7,826 lb (3 550 kg)*	6,482 lb (2 940 kg)				20 ft 0 in (6.16 m)	6,063 lb (2 750 kg)*	6,063 lb (2 750 kg)*
14 ft 9 in (4.5 m)					10,428 lb (4 730 kg)*	10,009 lb (4 540 kg)	9,348 lb (4 240 kg)*	6,393 lb (2 900 kg)				22 ft 0 in (6.96 m)	5,798 lb (2 630 kg)*	4,982 lb (2 260 kg)
9 ft 10 in (3.0 m)					12,985 lb (5 890 kg)*	9,348 lb (4 240 kg)	9,590 lb (4 350 kg)	6,129 lb (2 780 kg)				24 ft 0 in (7.36 m)	5,864 lb (2 660 kg)*	4,453 lb (2 020 kg)
4 ft 11 in (1.5 m)					14,264 lb (6 470 kg)	8,730 lb (3 960 kg)	9,259 lb (4 200 kg)	5,842 lb (2 650 kg)				24 ft 0 in (7.44 m)	6,239 lb (2 830 kg)*	4,277 lb (1 940 kg)
0 ft (0 m)			12,941 lb (5 870 kg)*	12,941 lb (5 870 kg)*	13,867 lb (6 290 kg)	8,378 lb (3 800 kg)	9,061 lb (4 110 kg)	5,666 lb (2 570 kg)				23 ft 0 in (7.21 m)	6,989 lb (3 170 kg)	4,409 lb (2 000 kg)
-4 ft 11 in (-1.5 m)	12,809 lb (5 810 kg)*	12,809 lb (5 810 kg)*	22,399 lb (10 160 kg)*	15,322 lb (6 950 kg)	13,779 lb (6 250 kg)	8,311 lb (3 770 kg)	9,017 lb (4 090 kg)	5,622 lb (2 550 kg)				21 ft 0 in (6.62 m)	7,870 lb (3 570 kg)	4,960 lb (2 250 kg)
-9 ft 10 in (-3.0 m)	22,663 lb (10 280 kg)*	22,663 lb (10 280 kg)*	19,379 lb (8 790 kg)*	15,675 lb (7 110 kg)	13,580 lb (6 160 kg)*	8,466 lb (3 840 kg)						18 ft 0 in (5.57 m)	10,009 lb (4 540 kg)*	6,393 lb (2 900 kg)

REAR BLADE DOWN (WIDE AXLES) - Mono boom 16 ft 5 in (5.0 m), arm 8 ft 0 in (2.45 m), 6,415 lb (2 910 kg) counterweight														
24 ft 7 in (7.5 m)												15 ft 0 in (4.77 m)	7,011 lb (3 180 kg)*	7,011 lb (3 180 kg)*
19 ft 8 in (6.0 m)							7,826 lb (3 550 kg)*	7,231 lb (3 280 kg)				20 ft 0 in (6.16 m)	6,063 lb (2 750 kg)*	6,063 lb (2 750 kg)*
14 ft 9 in (4.5 m)					10,428 lb (4 730 kg)*	10,428 lb (4 730 kg)*	9,348 lb (4 240 kg)*	7,165 lb (3 250 kg)				22 ft 0 in (6.96 m)	5,798 lb (2 630 kg)*	5,600 lb (2 540 kg)
9 ft 10 in (3.0 m)					12,985 lb (5 890 kg)*	10,560 lb (4 790 kg)	9,612 lb (4 360 kg)	6,878 lb (3 120 kg)				24 ft 0 in (7.36 m)	5,864 lb (2 660 kg)*	5,004 lb (2 270 kg)
4 ft 11 in (1.5 m)					14,308 lb (6 490 kg)	9,899 lb (4 490 kg)	9,281 lb (4 210 kg)	6,592 lb (2 990 kg)				24 ft 0 in (7.44 m)	6,239 lb (2 830 kg)*	4,828 lb (2 190 kg)
0 ft (0 m)			12,941 lb (5 870 kg)*	12,941 lb (5 870 kg)*	13,911 lb (6 310 kg)	9,546 lb (4 330 kg)	9,083 lb (4 120 kg)	6,393 lb (2 900 kg)				23 ft 0 in (7.21 m)	7,011 lb (3 180 kg)	4,982 lb (2 260 kg)
-4 ft 11 in (-1.5 m)	12,809 lb (5 810 kg)*	12,809 lb (5 810 kg)*	22,399 lb (10 160 kg)*	17,857 lb (8 100 kg)	13,823 lb (6 270 kg)	9,458 lb (4 290 kg)	9,039 lb (4 100 kg)	6,349 lb (2 880 kg)				21 ft 0 in (6.62 m)	7,893 lb (3 580 kg)	5,600 lb (2 540 kg)
-9 ft 10 in (-3.0 m)	22,663 lb (10 280 kg)*	22,663 lb (10 280 kg)*	19,379 lb (8 790 kg)*	18,210 lb (8 260 kg)	13,580 lb (6 160 kg)*	9,634 lb (4 370 kg)						18 ft 0 in (5.57 m)	10,009 lb (4 540 kg)*	7,209 lb (3 270 kg)

REAR BLADE UP - Mono boom 16 ft 5 in (5.0 m), arm 8 ft 0 in (2.45 m), 6,415 lb (2 910 kg) counterweight														
24 ft 7 in (7.5 m)												15 ft 0 in (4.77 m)	7,011 lb (3 180 kg)*	7,011 lb (3 180 kg)*
19 ft 8 in (6.0 m)							7,826 lb (3 550 kg)*	5,886 lb (2 670 kg)				20 ft 0 in (6.16 m)	6,063 lb (2 750 kg)*	5,600 lb (2 540 kg)
14 ft 9 in (4.5 m)					10,428 lb (4 730 kg)*	9,083 lb (4 120 kg)	9,348 lb (4 240 kg)*	5,798 lb (2 630 kg)				22 ft 0 in (6.96 m)	5,798 lb (2 630 kg)*	4,519 lb (2 050 kg)
9 ft 10 in (3.0 m)					12,985 lb (5 890 kg)*	8,422 lb (3 820 kg)	9,590 lb (4 350 kg)	5,534 lb (2 510 kg)				24 ft 0 in (7.36 m)	5,864 lb (2 660 kg)*	4,012 lb (1 820 kg)
4 ft 11 in (1.5 m)					14,264 lb (6 470 kg)	7,826 lb (3 550 kg)	9,259 lb (4 200 kg)	5,269 lb (2 390 kg)				24 ft 0 in (7.44 m)	6,239 lb (2 830 kg)*	3,836 lb (1 740 kg)
0 ft (0 m)			12,941 lb (5 870 kg)*	12,941 lb (5 870 kg)*	13,867 lb (6 290 kg)	7,474 lb (3 390 kg)	9,061 lb (4 110 kg)	5,071 lb (2 300 kg)				23 ft 0 in (7.21 m)	6,989 lb (3 170 kg)	3,946 lb (1 790 kg)
-4 ft 11 in (-1.5 m)	12,809 lb (5 810 kg)*	12,809 lb (5 810 kg)*	22,399 lb (10 160 kg)*	13,448 lb (6 100 kg)	13,779 lb (6 250 kg)	7,408 lb (3 360 kg)	9,017 lb (4 090 kg)	5,027 lb (2 280 kg)				21 ft 0 in (6.62 m)	7,870 lb (3 570 kg)	4,453 lb (2 020 kg)
-9 ft 10 in (-3.0 m)	22,663 lb (10 280 kg)*	22,663 lb (10 280 kg)*	19,379 lb (8 790 kg)*	13,779 lb (6 250 kg)	13,580 lb (6 160 kg)*	7,562 lb (3 430 kg)						18 ft 0 in (5.57 m)	10,009 lb (4 540 kg)*	5,732 lb (2 600 kg)

NOTE: *The above loads (kg) are compliant to the ISO standards and refer to the excavator equipped without bucket. The indicated loads are no more than 87% of hydraulic system lift capacity or 75% of static tipping load. Values marked with an asterisk (*) are limited by the hydraulic lifting capacity.

LIFTING CAPACITIES - MONOBOOM

Load/Lift Point Height	LOAD RADIUS										MAXIMUM REACH			
	4 ft 11 in (1.5 m)		9 ft 10 in (3.0 m)		14 ft 9 in (4.5 m)		19 ft 8 in (6.0 m)		24 ft 7 in (7.5 m)		REACH	CAPACITY		
	END	SIDE	END	SIDE	END	SIDE	END	SIDE	END	SIDE	@	END	SIDE	
REAR BLADE UP (WIDE AXLES) - Mono boom 16 ft 5 in (5.0 m), arm 8 ft 0 in (2.45 m), 6,415 lb (2 910 kg) counterweight														
24 ft 7 in (7.5 m)												15 ft 0 in (4.77 m)	7,011 lb (3 180 kg)*	7,011 lb (3 180 kg)*
19 ft 8 in (6.0 m)							7,826 lb (3 550 kg)*	6,460 lb (2 930 kg)				20 ft 0 in (6.16 m)	6,063 lb (2 750 kg)*	6,063 lb (2 750 kg)*
14 ft 9 in (4.5 m)					10,428 lb (4 730 kg)*	9,965 lb (4 520 kg)	9,348 lb (4 240 kg)*	6,371 lb (2 890 kg)				22 ft 0 in (6.96 m)	5,798 lb (2 630 kg)*	4,960 lb (2 250 kg)
9 ft 10 in (3.0 m)					12,985 lb (5 890 kg)*	9,303 lb (4 220 kg)	9,612 lb (4 360 kg)	6,107 lb (2 770 kg)				24 ft 0 in (7.36 m)	5,864 lb (2 660 kg)*	4,431 lb (2 010 kg)
4 ft 11 in (1.5 m)					14,308 lb (6 490 kg)	8,686 lb (3 940 kg)	9,281 lb (4 210 kg)	5,820 lb (2 640 kg)				24 ft 0 in (7.44 m)	6,239 lb (2 830 kg)*	4,255 lb (1 930 kg)
0 ft (0 m)			12,941 lb (5 870 kg)*	12,941 lb (5 870 kg)*	13,911 lb (6 310 kg)	8,333 lb (3 780 kg)	9,083 lb (4 120 kg)	5,622 lb (2 550 kg)				23 ft 0 in (7.21 m)	7,011 lb (3 180 kg)	4,387 lb (1 990 kg)
-4 ft 11 in (-1.5 m)	12,809 lb (5 810 kg)*	12,809 lb (5 810 kg)*	22,399 lb (10 160 kg)*	15,234 lb (6 910 kg)	13,823 lb (6 270 kg)	8,267 lb (3 750 kg)	9,039 lb (4 100 kg)	5,578 lb (2 530 kg)				21 ft 0 in (6.62 m)	7,893 lb (3 580 kg)	4,938 lb (2 240 kg)
-9 ft 10 in (-3.0 m)	22,663 lb (10 280 kg)*	22,663 lb (10 280 kg)*	19,379 lb (8 790 kg)*	15,587 lb (7 070 kg)	13,580 lb (6 160 kg)*	8,444 lb (3 830 kg)						18 ft 0 in (5.57 m)	10,009 lb (4 540 kg)*	6,349 lb (2 880 kg)

REAR BLADE & FRONT STABILIZERS DOWN - Mono boom 16 ft 5 in (5.0 m), arm 2.45 m, 6,415 lb (2 910 kg) counterweight														
24 ft 7 in (7.5 m)												-	-	-
19 ft 8 in (6.0 m)							7,826 lb (3 550 kg)*	7,826 lb (3 550 kg)*				20 ft 0 in (6.16 m)	6,063 lb (2 750 kg)*	6,063 lb (2 750 kg)*
14 ft 9 in (4.5 m)					10,428 lb (4 730 kg)*	10,428 lb (4 730 kg)*	9,348 lb (4 240 kg)*	9,348 lb (4 240 kg)*				22 ft 0 in (6.96 m)	5,798 lb (2 630 kg)*	5,798 lb (2 630 kg)*
9 ft 10 in (3.0 m)					12,985 lb (5 890 kg)*	12,985 lb (5 890 kg)*	10,362 lb (4 700 kg)*	10,296 lb (4 670 kg)				24 ft 0 in (7.36 m)	5,864 lb (2 660 kg)*	5,864 lb (2 660 kg)*
4 ft 11 in (1.5 m)					15,366 lb (6 970 kg)*	15,366 lb (6 970 kg)*	11,442 lb (5 190 kg)*	9,965 lb (4 520 kg)				24 ft 0 in (7.44 m)	6,239 lb (2 830 kg)*	6,239 lb (2 830 kg)*
0 ft (0 m)			12,941 lb (5 870 kg)*	12,941 lb (5 870 kg)*	16,469 lb (7 470 kg)*	14,969 lb (6 790 kg)	12,059 lb (5 470 kg)	9,766 lb (4 430 kg)				23 ft 0 in (7.21 m)	7,033 lb (3 190 kg)*	7,033 lb (3 190 kg)*
-4 ft 11 in (-1.5 m)	12,809 lb (5 810 kg)*	12,809 lb (5 810 kg)*	22,399 lb (10 160 kg)*	22,399 lb (10 160 kg)*	16,006 lb (7 260 kg)*	14,903 lb (6 760 kg)	11,618 lb (5 270 kg)*	9,700 lb (4 400 kg)				21 ft 0 in (6.62 m)	8,598 lb (3 900 kg)*	8,488 lb (3 850 kg)
-9 ft 10 in (-3.0 m)	22,663 lb (10 280 kg)*	22,663 lb (10 280 kg)*	19,379 lb (8 790 kg)*	19,379 lb (8 790 kg)*	13,580 lb (6 160 kg)*	13,580 lb (6 160 kg)*						18 ft 0 in (5.57 m)	10,009 lb (4 540 kg)*	10,009 lb (4 540 kg)*

REAR BLADE & FRONT STABILIZERS UP - Mono boom 16 ft 5 in (5.0 m), arm 8 ft 0 in (2.45 m), 6,415 lb (2 910 kg) counterweight														
24 ft 7 in (7.5 m)												15 ft 0 in (4.77 m)	7,011 lb (3 180 kg)*	7,011 lb (3 180 kg)*
19 ft 8 in (6.0 m)							7,826 lb (3 550 kg)*	7,385 lb (3 350 kg)				20 ft 0 in (6.16 m)	6,063 lb (2 750 kg)*	6,063 lb (2 750 kg)*
14 ft 9 in (4.5 m)					10,426 lb (4 730 kg)*	10,428 lb (4 730 kg)*	9,348 lb (4 240 kg)*	7,297 lb (3 310 kg)				22 ft 0 in (6.96 m)	5,798 lb (2 630 kg)*	5,732 lb (2 600 kg)
9 ft 10 in (3.0 m)					12,985 lb (5 890 kg)*	10,736 lb (4 870 kg)	9,700 lb (4 400 kg)	7,033 lb (3 190 kg)				24 ft 0 in (7.36 m)	5,864 lb (2 660 kg)*	5,137 lb (2 330 kg)
4 ft 11 in (1.5 m)					14,440 lb (6 550 kg)	10,097 lb (4 580 kg)	9,392 lb (4 260 kg)	6,746 lb (3 060 kg)				24 ft 0 in (7.44 m)	6,239 lb (2 830 kg)*	4,960 lb (2 250 kg)
0 ft (0 m)			12,941 lb (5 870 kg)*	12,941 lb (5 870 kg)*	14,043 lb (6 370 kg)	9,722 lb (4 410 kg)	9,171 lb (4 160 kg)	6,548 lb (2 970 kg)				23 ft 0 in (7.21 m)	7,033 lb (3 190 kg)*	5,115 lb (2 320 kg)
-4 ft 11 in (-1.5 m)	12,809 lb (5 810 kg)*	12,809 lb (5 810 kg)*	22,399 lb (10 160 kg)*	18,012 lb (8 170 kg)	13,955 lb (6 330 kg)	9,656 lb (4 380 kg)	9,127 lb (4 140 kg)	6,504 lb (2 950 kg)				21 ft 0 in (6.62 m)	7,981 lb (3 620 kg)	5,732 lb (2 600 kg)
-9 ft 10 in (-3.0 m)	22,663 lb (10 280 kg)*	22,663 lb (10 280 kg)*	19,379 lb (8 790 kg)*	18,364 lb (8 330 kg)	13,580 lb (6 160 kg)*	9,833 lb (4 460 kg)						18 ft 0 in (5.57 m)	10,009 lb (4 540 kg)*	7,385 lb (3 350 kg)

REAR BLADE DOWN - Mono boom 16 ft 5 in (5.0 m), arm 8 ft 6 in (2.60 m), 6,415 lb (2 910 kg) counterweight														
24 ft 7 in (7.5 m)												16 ft 0 in (4.96 m)	7,408 lb (3 360 kg)*	7,408 lb (3 360 kg)*
19 ft 8 in (6.0 m)							8,730 lb (3 960 kg)*	6,482 lb (2 940 kg)				20 ft 0 in (6.31 m)	6,504 lb (2 950 kg)*	5,908 lb (2 680 kg)
14 ft 9 in (4.5 m)					10,009 lb (4 540 kg)*	10,009 lb (4 540 kg)	9,061 lb (4 110 kg)*	6,371 lb (2 890 kg)				23 ft 0 in (7.09 m)	6,239 lb (2 830 kg)*	4,806 lb (2 180 kg)
9 ft 10 in (3.0 m)					12,566 lb (5 700 kg)*	9,326 lb (4 230 kg)	9,546 lb (4 330 kg)	6,085 lb (2 760 kg)				24 ft 0 in (7.49 m)	6,349 lb (2 880 kg)*	4,277 lb (1 940 kg)
4 ft 11 in (1.5 m)					14,220 lb (6 450 kg)	8,664 lb (3 930 kg)	9,215 lb (4 180 kg)	5,798 lb (2 630 kg)	6,614 lb (3 000 kg)	4,167 lb (1 890 kg)		24 ft 0 in (7.56 m)	6,526 lb (2 960 kg)	4,101 lb (1 860 kg)
0 ft (0 m)			13,162 lb (5 970 kg)*	13,162 lb (5 970 kg)*	13,779 lb (6 250 kg)	8,289 lb (3 760 kg)	8,973 lb (4 070 kg)	5,578 lb (2 530 kg)				24 ft 0 in (7.33 m)	6,746 lb (3 060 kg)	4,233 lb (1 920 kg)
-4 ft 11 in (-1.5 m)	12,324 lb (5 590 kg)*	12,324 lb (5 590 kg)*	21,914 lb (9 940 kg)*	15,124 lb (6 860 kg)	13,669 lb (6 200 kg)	8,179 lb (3 710 kg)	8,907 lb (4 040 kg)	5,512 lb (2 500 kg)				22 ft 0 in (6.76 m)	7,562 lb (3 430 kg)	4,718 lb (2 140 kg)
-9 ft 10 in (-3.0 m)	21,738 lb (9 860 kg)*	21,738 lb (9 860 kg)*	19,864 lb (9 010 kg)*	15,454 lb (7 010 kg)	13,823 lb (6 270 kg)	8,333 lb (3 780 kg)						18 ft 0 in (5.74 m)	9,700 lb (4 400 kg)	6,019 lb (2 730 kg)

REAR BLADE UP - Mono boom 16 ft 5 in (5.0 m), arm 8 ft 6 in (2.60 m), 6,415 lb (2 910 kg) counterweight														
24 ft 7 in (7.5 m)												16 ft 0 in (4.96 m)	7,408 lb (3 360 kg)*	7,408 lb (3 360 kg)*
19 ft 8 in (6.0 m)							8,730 lb (3 960 kg)*	5,886 lb (2 670 kg)				20 ft 0 in (6.31 m)	6,504 lb (2 950 kg)*	5,357 lb (2 430 kg)
14 ft 9 in (4.5 m)					10,009 lb (4 540 kg)*	9,083 lb (4 120 kg)	9,061 lb (4 110 kg)*	5,776 lb (2 620 kg)				23 ft 0 in (7.09 m)	6,239 lb (2 830 kg)*	4,321 lb (1 960 kg)
9 ft 10 in (3.0 m)					12,566 lb (5 700 kg)*	8,400 lb (3 810 kg)	9,546 lb (4 330 kg)	5,490 lb (2 490 kg)				24 ft 0 in (7.49 m)	6,349 lb (2 880 kg)*	3,858 lb (1 750 kg)
4 ft 11 in (1.5 m)					14,220 lb (6 450 kg)	7,760 lb (3 520 kg)	9,215 lb (4 180 kg)	5,203 lb (2 360 kg)	6,614 lb (3 000 kg)	3,726 lb (1 690 kg)		24 ft 0 in (7.56 m)	6,526 lb (2 960 kg)	3,682 lb (1 670 kg)
0 ft (0 m)			13,162 lb (5 970 kg)*	13,162 lb (5 970 kg)*	13,779 lb (6 250 kg)	7,385 lb (3 350 kg)	8,973 lb (4 070 kg)	4,982 lb (2 260 kg)				24 ft 0 in (7.33 m)	6,746 lb (3 060 kg)	3,792 lb (1 720 kg)
-4 ft 11 in (-1.5 m)	12,324 lb (5 590 kg)*	12,324 lb (5 590 kg)*	21,914 lb (9 940 kg)*	13,250 lb (6 010 kg)	13,669 lb (6 200 kg)	7,297 lb (3 310 kg)	8,907 lb (4 040 kg)	4,938 lb (2 240 kg)				22 ft 0 in (6.76 m)	7,562 lb (3 430 kg)	4,233 lb (1 920 kg)
-9 ft 10 in (-3.0 m)	21,738 lb (9 860 kg)*	21,738 lb (9 860 kg)*	19,864 lb (9 010 kg)*	13,580 lb (6 160 kg)	13,823 lb (6 270 kg)*	7,430 lb (3 370 kg)						18 ft 0 in (5.74 m)	9,700 lb (4 400 kg)	5,401 lb (2 450 kg)

NOTE: *The above loads (kg) are compliant to the ISO standards and refer to the excavator equipped without bucket. The indicated loads are no more than 87% of hydraulic system lift capacity or 75% of static tipping load. Values marked with an asterisk (*) are limited by the hydraulic lifting capacity.

LIFTING CAPACITIES - MONOBOOM

Load/Lift Point Height	LOAD RADIUS										MAXIMUM REACH			
	4 ft 11 in (1.5 m)		9 ft 10 in (3.0 m)		14 ft 9 in (4.5 m)		19 ft 8 in (6.0 m)		24 ft 7 in (7.5 m)		REACH	CAPACITY		
	END	SIDE	END	SIDE	END	SIDE	END	SIDE	END	SIDE	@	END	SIDE	
REAR BLADE DOWN - Mono boom 16 ft 5 in (5.0 m), arm 10 ft 2 in (3.10 m), 6,415 lb (2 910 kg) counterweight														
24 ft 7 in (7.5 m)												18 ft 0 in (5.62 m)	5,908 lb (2 680 kg)*	5,908 lb (2 680 kg)*
19 ft 8 in (6.0 m)							7,804 lb (3 540 kg)*	6,680 lb (3 030 kg)				22 ft 0 in (6.83 m)	5,335 lb (2 420 kg)*	5,313 lb (2 410 kg)
14 ft 9 in (4.5 m)							8,333 lb (3 780 kg)*	6,526 lb (2 960 kg)		5,666 lb (2 570 kg)*	4,475 lb (2 030 kg)	24 ft 0 in (7.56 m)	5,159 lb (2 340 kg)*	4,409 lb (2 000 kg)
9 ft 10 in (3.0 m)			16,689 lb (7 570 kg)*	16,689 lb (7 570 kg)*	11,530 lb (5 230 kg)*	9,568 lb (4 340 kg)	9,480 lb (4 300 kg)*	6,217 lb (2 820 kg)	6,834 lb (3 100 kg)	4,365 lb (1 980 kg)		26 ft 0 in (7.93 m)	5,269 lb (2 390 kg)*	3,968 lb (1 800 kg)
4 ft 11 in (1.5 m)					14,264 lb (6 470 kg)*	8,818 lb (4 000 kg)	9,303 lb (4 220 kg)	5,864 lb (2 660 kg)	6,680 lb (3 030 kg)	4,211 lb (1 910 kg)		26 ft 0 in (8 m)	5,600 lb (2 540 kg)*	3,814 lb (1 730 kg)
0 ft (0 m)			14,639 lb (6 640 kg)*	14,639 lb (6 640 kg)*	13,823 lb (6 270 kg)	8,311 lb (3 770 kg)	9,017 lb (4 090 kg)	5,600 lb (2 540 kg)	6,548 lb (2 970 kg)	4,101 lb (1 860 kg)		25 ft 0 in (7.78 m)	6,217 lb (2 820 kg)	3,880 lb (1 760 kg)
-4 ft 11 in (-1.5 m)	11,398 lb (5 170 kg)*	11,398 lb (5 170 kg)*	20,525 lb (9 310 kg)*	14,925 lb (6 770 kg)	13,603 lb (6 170 kg)	8,135 lb (3 690 kg)	8,863 lb (4 020 kg)	5,467 lb (2 480 kg)				23 ft 0 in (7.25 m)	6,834 lb (3 100 kg)	4,277 lb (1 940 kg)
-9 ft 10 in (-3.0 m)	18,585 lb (8 430 kg)*	18,585 lb (8 430 kg)*	21,605 lb (9 800 kg)*	15,168 lb (6 880 kg)	13,691 lb (6 210 kg)	8,201 lb (3 720 kg)	8,951 lb (4 060 kg)	5,556 lb (2 520 kg)				20 ft 0 in (6.31 m)	8,378 lb (3 800 kg)	5,225 lb (2 370 kg)
-14 ft 9 in (-4.5 m)			15,432 lb (7 000 kg)*	15,432 lb (7 000 kg)*	10,163 lb (4 610 kg)*	8,598 lb (3 900 kg)						15 ft 0 in (4.72 m)	9,348 lb (4 240 kg)*	8,091 lb (3 670 kg)

REAR BLADE UP - Mono boom 16 ft 5 in (5.0 m), arm 10 ft 2 in (3.10 m), 6,415 lb (2 910 kg) counterweight

24 ft 7 in (7.5 m)												18 ft 0 in (5.62 m)	5,908 lb (2 680 kg)*	5,908 lb (2 680 kg)*
19 ft 8 in (6.0 m)							7,804 lb (3 540 kg)*	6,085 lb (2 760 kg)				22 ft 0 in (6.83 m)	5,335 lb (2 420 kg)*	4,806 lb (2 180 kg)
14 ft 9 in (4.5 m)							8,333 lb (3 780 kg)*	5,930 lb (2 690 kg)		5,666 lb (2 570 kg)*	4,034 lb (1 830 kg)	24 ft 0 in (7.56 m)	5,159 lb (2 340 kg)*	3,990 lb (1 810 kg)
9 ft 10 in (3.0 m)			16,689 lb (7 570 kg)*	15,873 lb (7 200 kg)	11,530 lb (5 230 kg)*	8,642 lb (3 920 kg)	9,480 lb (4 300 kg)*	5,622 lb (2 550 kg)	6,834 lb (3 100 kg)	3,924 lb (1 780 kg)		26 ft 0 in (7.93 m)	5,269 lb (2 390 kg)*	3,571 lb (1 620 kg)
4 ft 11 in (1.5 m)					14,264 lb (6 470 kg)*	7,915 lb (3 590 kg)	9,303 lb (4 220 kg)	5,269 lb (2 390 kg)	6,680 lb (3 030 kg)	3,792 lb (1 720 kg)		26 ft 0 in (8 m)	5,600 lb (2 540 kg)*	3,417 lb (1 550 kg)
0 ft (0 m)			14,639 lb (6 640 kg)*	13,140 lb (5 960 kg)	13,823 lb (6 270 kg)	7,408 lb (3 360 kg)	9,017 lb (4 090 kg)	5,004 lb (2 270 kg)	6,548 lb (2 970 kg)	3,660 lb (1 660 kg)		25 ft 0 in (7.78 m)	6,217 lb (2 820 kg)	3,483 lb (1 580 kg)
-4 ft 11 in (-1.5 m)	11,398 lb (5 170 kg)*	11,398 lb (5 170 kg)*	20,525 lb (9 310 kg)*	13,051 lb (5 920 kg)	13,603 lb (6 170 kg)	7,231 lb (3 280 kg)	8,863 lb (4 020 kg)	4,894 lb (2 220 kg)				23 ft 0 in (7.25 m)	6,834 lb (3 100 kg)	3,814 lb (1 730 kg)
-9 ft 10 in (-3.0 m)	18,585 lb (8 430 kg)*	18,585 lb (8 430 kg)*	21,605 lb (9 800 kg)*	13,294 lb (6 030 kg)	13,691 lb (6 210 kg)	7,297 lb (3 310 kg)	8,951 lb (4 060 kg)	4,960 lb (2 250 kg)				20 ft 0 in (6.31 m)	8,378 lb (3 800 kg)	4,674 lb (2 120 kg)
-14 ft 9 in (-4.5 m)			15,432 lb (7 000 kg)*	13,889 lb (6 300 kg)	10,163 lb (4 610 kg)	7,694 lb (3 490 kg)						15 ft 0 in (4.72 m)	9,348 lb (4 240 kg)*	7,231 lb (3 280 kg)

REAR BLADE DOWN - Mono boom 16 ft 5 in (5.0 m), arm 6 ft 7 in (2.0 m), 7,518 lb (3 410 kg) counterweight

24 ft 7 in (7.5 m)												-	-	-
19 ft 8 in (6.0 m)					10,053 lb (4 560 kg)*	10,053 lb (4 560 kg)*						18 ft 0 in (5.6 m)	10,097 lb (4 580 kg)*	7,672 lb (3 480 kg)
14 ft 9 in (4.5 m)					11,420 lb (5 180 kg)*	10,560 lb (4 790 kg)	10,053 lb (4 560 kg)*	6,812 lb (3 090 kg)				21 ft 0 in (6.47 m)	9,215 lb (4 180 kg)	6,041 lb (2 740 kg)
9 ft 10 in (3.0 m)					13,867 lb (6 290 kg)*	9,921 lb (4 500 kg)	10,141 lb (4 600 kg)	6,592 lb (2 990 kg)				22 ft 0 in (6.9 m)	8,201 lb (3 720 kg)	5,335 lb (2 420 kg)
4 ft 11 in (1.5 m)					15,124 lb (6 860 kg)	9,370 lb (4 250 kg)	9,877 lb (4 480 kg)	6,327 lb (2 870 kg)				22 ft 0 in (6.99 m)	7,937 lb (3 600 kg)	5,115 lb (2 320 kg)
0 ft (0 m)					14,815 lb (6 720 kg)	9,105 lb (4 130 kg)	9,722 lb (4 410 kg)	6,195 lb (2 810 kg)				22 ft 0 in (6.73 m)	8,267 lb (3 750 kg)	5,313 lb (2 410 kg)
-4 ft 11 in (-1.5 m)			21,958 lb (9 960 kg)*	16,799 lb (7 620 kg)	14,815 lb (6 720 kg)	9,105 lb (4 130 kg)	9,744 lb (4 420 kg)	6,217 lb (2 820 kg)				20 ft 0 in (6.1 m)	9,524 lb (4 320 kg)	6,085 lb (2 760 kg)
-9 ft 10 in (-3.0 m)			17,306 lb (7 850 kg)*	17,218 lb (7 810 kg)	12,214 lb (5 540 kg)*	9,370 lb (4 250 kg)						16 ft 0 in (4.94 m)	10,560 lb (4 790 kg)*	8,289 lb (3 760 kg)

REAR BLADE UP - Mono boom 16 ft 5 in (5.0 m), arm 6 ft 7 in (2.0 m), 7,518 lb (3 410 kg) counterweight

24 ft 7 in (7.5 m)												-	-	-
19 ft 8 in (6.0 m)					10,053 lb (4 560 kg)*	9,965 lb (4 520 kg)						18 ft 0 in (5.6 m)	10,097 lb (4 580 kg)*	6,989 lb (3 170 kg)
14 ft 9 in (4.5 m)					11,420 lb (5 180 kg)*	9,590 lb (4 350 kg)	10,053 lb (4 560 kg)*	6,195 lb (2 810 kg)				21 ft 0 in (6.47 m)	9,215 lb (4 180 kg)	5,490 lb (2 490 kg)
9 ft 10 in (3.0 m)					13,867 lb (6 290 kg)*	8,973 lb (4 070 kg)	10,141 lb (4 600 kg)	5,975 lb (2 710 kg)				22 ft 0 in (6.9 m)	8,201 lb (3 720 kg)	4,828 lb (2 190 kg)
4 ft 11 in (1.5 m)					15,124 lb (6 860 kg)	8,422 lb (3 820 kg)	9,877 lb (4 480 kg)	5,732 lb (2 600 kg)				22 ft 0 in (6.99 m)	7,937 lb (3 600 kg)	4,630 lb (2 100 kg)
0 ft (0 m)					14,815 lb (6 720 kg)	8,179 lb (3 710 kg)	9,722 lb (4 410 kg)	5,578 lb (2 530 kg)				22 ft 0 in (6.73 m)	8,267 lb (3 750 kg)	4,806 lb (2 180 kg)
-4 ft 11 in (-1.5 m)			21,958 lb (9 960 kg)*	14,815 lb (6 720 kg)	14,815 lb (6 720 kg)	8,157 lb (3 700 kg)	9,744 lb (4 420 kg)	5,600 lb (2 540 kg)				20 ft 0 in (6.1 m)	9,524 lb (4 320 kg)	5,490 lb (2 490 kg)
-9 ft 10 in (-3.0 m)			17,306 lb (7 850 kg)*	15,212 lb (6 900 kg)	12,214 lb (5 540 kg)*	8,422 lb (3 820 kg)						16 ft 0 in (4.94 m)	10,560 lb (4 790 kg)*	7,474 lb (3 390 kg)

NOTE: *The above loads (kg) are compliant to the ISO standards and refer to the excavator equipped without bucket. The indicated loads are no more than 87% of hydraulic system lift capacity or 75% of static tipping load. Values marked with an asterisk (*) are limited by the hydraulic lifting capacity.

LIFTING CAPACITIES - MONOBOOM

Load/Lift Point Height	LOAD RADIUS										MAXIMUM REACH			
	4 ft 11 in (1.5 m)		9 ft 10 in (3.0 m)		14 ft 9 in (4.5 m)		19 ft 8 in (6.0 m)		24 ft 7 in (7.5 m)		REACH	CAPACITY		
	END	SIDE	END	SIDE	END	SIDE	END	SIDE	END	SIDE	@	END	SIDE	
REAR BLADE DOWN - Mono boom 16 ft 5 in (5.0 m), arm 8 ft 0 in (2.45 m), 7,518 lb (3 410 kg) counterweight														
24 ft 7 in (7.5 m)												15 ft 0 in (4.77 m)	7,011 lb (3 180 kg)*	7,011 lb (3 180 kg)*
19 ft 8 in (6.0 m)							7,826 lb (3 550 kg)*	6,989 lb (3 170 kg)				20 ft 0 in (6.16 m)	6,063 lb (2 750 kg)*	6,063 lb (2 750 kg)*
14 ft 9 in (4.5 m)					10,428 lb (4 730 kg)*	10,428 lb (4 730 kg)*	9,348 lb (4 240 kg)*	6,900 lb (3 130 kg)				22 ft 0 in (6.96 m)	5,798 lb (2 630 kg)*	5,401 lb (2 450 kg)
9 ft 10 in (3.0 m)					12,985 lb (5 890 kg)*	10,075 lb (4 570 kg)	10,207 lb (4 630 kg)	6,636 lb (3 010 kg)				24 ft 0 in (7.36 m)	5,864 lb (2 660 kg)*	4,850 lb (2 200 kg)
4 ft 11 in (1.5 m)					15,234 lb (6 910 kg)	9,458 lb (4 290 kg)	9,899 lb (4 490 kg)	6,349 lb (2 880 kg)				24 ft 0 in (7.44 m)	6,239 lb (2 830 kg)*	4,674 lb (2 120 kg)
0 ft (0 m)			12,941 lb (5 870 kg)*	12,941 lb (5 870 kg)*	14,815 lb (6 720 kg)	9,105 lb (4 130 kg)	9,700 lb (4 400 kg)	6,151 lb (2 790 kg)				23 ft 0 in (7.21 m)	7,033 lb (3 190 kg)	4,806 lb (2 180 kg)
-4 ft 11 in (-1.5 m)	12,809 lb (5 810 kg)*	12,809 lb (5 810 kg)*	22,399 lb (10 160 kg)*	16,601 lb (7 530 kg)	14,749 lb (6 690 kg)	9,017 lb (4 090 kg)	9,634 lb (4 370 kg)	6,107 lb (2 770 kg)				21 ft 0 in (6.62 m)	8,444 lb (3 830 kg)	5,401 lb (2 450 kg)
-9 ft 10 in (-3.0 m)	22,663 lb (10 280 kg)*	22,663 lb (10 280 kg)*	19,379 lb (8 790 kg)*	16,954 lb (7 690 kg)	13,580 lb (6 160 kg)	9,193 lb (4 170 kg)						18 ft 0 in (5.57 m)	10,009 lb (4 540 kg)*	6,945 lb (3 150 kg)

REAR BLADE UP - Mono boom 16 ft 5 in (5.0 m), arm 8 ft 0 in (2.45 m), 7,518 lb (3 410 kg) counterweight														
24 ft 7 in (7.5 m)												15 ft 0 in (4.77 m)	7,011 lb (3 180 kg)*	7,011 lb (3 180 kg)*
19 ft 8 in (6.0 m)							7,826 lb (3 550 kg)*	6,371 lb (2 890 kg)				20 ft 0 in (6.16 m)	6,063 lb (2 750 kg)*	6,063 lb (2 750 kg)*
14 ft 9 in (4.5 m)					10,428 lb (4 730 kg)*	9,766 lb (4 430 kg)	9,348 lb (4 240 kg)*	6,283 lb (2 850 kg)				22 ft 0 in (6.96 m)	5,798 lb (2 630 kg)*	4,916 lb (2 230 kg)
9 ft 10 in (3.0 m)					12,985 lb (5 890 kg)*	9,105 lb (4 130 kg)	10,207 lb (4 630 kg)	6,019 lb (2 730 kg)				24 ft 0 in (7.36 m)	5,864 lb (2 660 kg)*	4,387 lb (1 990 kg)
4 ft 11 in (1.5 m)					15,234 lb (6 910 kg)	8,510 lb (3 860 kg)	9,899 lb (4 490 kg)	5,754 lb (2 610 kg)				24 ft 0 in (7.44 m)	6,239 lb (2 830 kg)*	4,211 lb (1 910 kg)
0 ft (0 m)			12,941 lb (5 870 kg)*	12,941 lb (5 870 kg)*	14,815 lb (6 720 kg)	8,157 lb (3 700 kg)	9,700 lb (4 400 kg)	5,556 lb (2 520 kg)				23 ft 0 in (7.21 m)	7,033 lb (3 190 kg)	4,343 lb (1 970 kg)
-4 ft 11 in (-1.5 m)	12,809 lb (5 810 kg)*	12,809 lb (5 810 kg)*	22,399 lb (10 160 kg)*	14,639 lb (6 640 kg)	14,749 lb (6 690 kg)	8,091 lb (3 670 kg)	9,634 lb (4 370 kg)	5,512 lb (2 500 kg)				21 ft 0 in (6.62 m)	8,444 lb (3 830 kg)	4,872 lb (2 210 kg)
-9 ft 10 in (-3.0 m)	22,663 lb (10 280 kg)*	22,663 lb (10 280 kg)*	19,379 lb (8 790 kg)*	14,969 lb (6 790 kg)	13,580 lb (6 160 kg)	8,245 lb (3 740 kg)						18 ft 0 in (5.57 m)	10,009 lb (4 540 kg)*	6,261 lb (2 840 kg)

REAR BLADE DOWN - Mono boom 16 ft 5 in (5.0 m), arm 8 ft 6 in (2.60 m), 7,518 lb (3 410 kg) counterweight														
24 ft 7 in (7.5 m)												16 ft 0 in (4.96 m)	7,408 lb (3 360 kg)*	7,408 lb (3 360 kg)*
19 ft 8 in (6.0 m)							8,730 lb (3 960 kg)*	6,989 lb (3 170 kg)				20 ft 0 in (6.31 m)	6,504 lb (2 950 kg)*	6,393 lb (2 900 kg)
14 ft 9 in (4.5 m)					10,009 lb (4 540 kg)*	10,009 lb (4 540 kg)*	9,061 lb (4 110 kg)*	6,878 lb (3 120 kg)				23 ft 0 in (7.09 m)	6,239 lb (2 830 kg)*	5,203 lb (2 360 kg)
9 ft 10 in (3.0 m)					12,566 lb (5 700 kg)*	10,053 lb (4 560 kg)	10,097 lb (4 580 kg)*	6,592 lb (2 990 kg)				24 ft 0 in (7.49 m)	6,349 lb (2 880 kg)*	4,674 lb (2 120 kg)
4 ft 11 in (1.5 m)					15,058 lb (6 830 kg)*	9,392 lb (4 260 kg)	9,855 lb (4 470 kg)	6,283 lb (2 850 kg)				24 ft 0 in (7.56 m)	6,768 lb (3 070 kg)*	4,497 lb (2 040 kg)
0 ft (0 m)			13,162 lb (5 970 kg)*	13,162 lb (5 970 kg)*	14,727 lb (6 680 kg)	9,017 lb (4 090 kg)	9,612 lb (4 360 kg)	6,085 lb (2 760 kg)	7,099 lb (3 220 kg)	4,542 lb (2 060 kg)		24 ft 0 in (7.33 m)	7,231 lb (3 280 kg)	4,630 lb (2 100 kg)
-4 ft 11 in (-1.5 m)	12,324 lb (5 590 kg)*	12,324 lb (5 590 kg)*	21,914 lb (9 940 kg)*	16,402 lb (7 440 kg)	14,617 lb (6 630 kg)	8,907 lb (4 040 kg)	9,546 lb (4 330 kg)	6,019 lb (2 730 kg)				22 ft 0 in (6.76 m)	8,113 lb (3 680 kg)	5,159 lb (2 340 kg)
-9 ft 10 in (-3.0 m)	21,738 lb (9 860 kg)*	21,738 lb (9 860 kg)*	19,864 lb (9 010 kg)*	16,733 lb (7 590 kg)	13,823 lb (6 270 kg)*	9,061 lb (4 110 kg)						18 ft 0 in (5.74 m)	9,899 lb (4 490 kg)*	6,570 lb (2 980 kg)

REAR BLADE UP - Mono boom 16 ft 5 in (5.0 m), arm 8 ft 6 in (2.60 m), 7,518 lb (3 410 kg) counterweight														
24 ft 7 in (7.5 m)												16 ft 0 in (4.96 m)	7,408 lb (3 360 kg)*	7,408 lb (3 360 kg)*
19 ft 8 in (6.0 m)							8,730 lb (3 960 kg)*	6,349 lb (2 880 kg)				20 ft 0 in (6.31 m)	6,504 lb (2 950 kg)*	5,820 lb (2 640 kg)
14 ft 9 in (4.5 m)					10,009 lb (4 540 kg)*	9,766 lb (4 430 kg)	9,061 lb (4 110 kg)*	6,261 lb (2 840 kg)				23 ft 0 in (7.09 m)	6,239 lb (2 830 kg)*	4,718 lb (2 140 kg)
9 ft 10 in (3.0 m)					12,566 lb (5 700 kg)*	9,083 lb (4 120 kg)	10,097 lb (4 580 kg)*	5,975 lb (2 710 kg)				24 ft 0 in (7.49 m)	6,349 lb (2 880 kg)*	4,211 lb (1 910 kg)
4 ft 11 in (1.5 m)					15,058 lb (6 830 kg)*	8,444 lb (3 830 kg)	9,855 lb (4 470 kg)	5,688 lb (2 580 kg)				24 ft 0 in (7.56 m)	6,768 lb (3 070 kg)*	4,057 lb (1 840 kg)
0 ft (0 m)			13,162 lb (5 970 kg)*	13,162 lb (5 970 kg)*	14,727 lb (6 680 kg)	8,069 lb (3 660 kg)	9,612 lb (4 360 kg)	5,467 lb (2 480 kg)	7,099 lb (3 220 kg)	4,101 lb (1 860 kg)		24 ft 0 in (7.33 m)	7,231 lb (3 280 kg)	4,167 lb (1 890 kg)
-4 ft 11 in (-1.5 m)	12,324 lb (5 590 kg)*	12,324 lb (5 590 kg)*	21,914 lb (9 940 kg)*	14,440 lb (6 550 kg)	14,617 lb (6 630 kg)	7,981 lb (3 620 kg)	9,546 lb (4 330 kg)	5,401 lb (2 450 kg)				22 ft 0 in (6.76 m)	8,113 lb (3 680 kg)	4,652 lb (2 110 kg)
-9 ft 10 in (-3.0 m)	21,738 lb (9 860 kg)*	21,738 lb (9 860 kg)*	19,864 lb (9 010 kg)*	14,771 lb (6 700 kg)	13,823 lb (6 270 kg)*	8,113 lb (3 680 kg)						18 ft 0 in (5.74 m)	9,899 lb (4 490 kg)*	5,908 lb (2 680 kg)

NOTE: *The above loads (kg) are compliant to the ISO standards and refer to the excavator equipped without bucket. The indicated loads are no more than 87% of hydraulic system lift capacity or 75% of static tipping load. Values marked with an asterisk (*) are limited by the hydraulic lifting capacity.

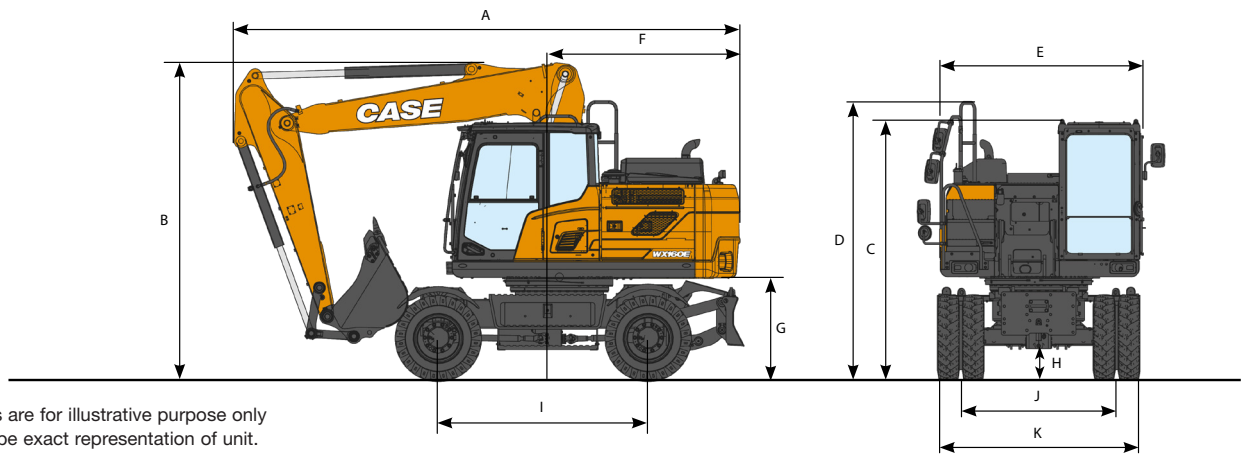
LIFTING CAPACITIES - MONOBOOM

Load/Lift Point Height	LOAD RADIUS										MAXIMUM REACH			
	4 ft 11 in (1.5 m)		9 ft 10 in (3.0 m)		14 ft 9 in (4.5 m)		19 ft 8 in (6.0 m)		24 ft 7 in (7.5 m)		REACH	CAPACITY		
	END	SIDE	END	SIDE	END	SIDE	END	SIDE	END	SIDE	@	END	SIDE	
REAR BLADE DOWN - Mono boom 16 ft 5 in (5.0 m), arm 10 ft 2 in (3.10 m), 7,518 lb (3 410 kg) counterweight														
24 ft 7 in (7.5 m)												18 ft 0 in (5.62 m)	5,908 lb (2 680 kg)*	5,908 lb (2 680 kg)*
19 ft 8 in (6.0 m)							7,804 lb (3 540 kg)*	7,187 lb (3 260 kg)				22 ft 0 in (6.83 m)	5,335 lb (2 420 kg)*	5,335 lb (2 420 kg)*
14 ft 9 in (4.5 m)							8,333 lb (3 780 kg)*	7,033 lb (3 190 kg)	5,666 lb (2 570 kg)*	4,850 lb (2 200 kg)		24 ft 0 in (7.56 m)	5,159 lb (2 340 kg)*	4,784 lb (2 170 kg)
9 ft 10 in (3.0 m)			16,689 lb (7 570 kg)*	16,689 lb (7 570 kg)*	11,530 lb (5 230 kg)*	10,296 lb (4 670 kg)	9,480 lb (4 300 kg)*	6,724 lb (3 050 kg)	7,319 lb (3 320 kg)	4,762 lb (2 160 kg)		26 ft 0 in (7.93 m)	5,269 lb (2 390 kg)*	4,321 lb (1 960 kg)
4 ft 11 in (1.5 m)					14,264 lb (6 470 kg)*	9,546 lb (4 330 kg)	9,943 lb (4 510 kg)	6,371 lb (2 890 kg)	7,143 lb (3 240 kg)	4,608 lb (2 090 kg)		26 ft 0 in (8 m)	5,600 lb (2 540 kg)*	4,167 lb (1 890 kg)
0 ft (0 m)			14,639 lb (6 640 kg)*	14,639 lb (6 640 kg)*	14,771 lb (6 700 kg)	9,039 lb (4 100 kg)	9,634 lb (4 370 kg)	6,107 lb (2 770 kg)	7,011 lb (3 180 kg)	4,475 lb (2 030 kg)		25 ft 0 in (7.78 m)	6,261 lb (2 840 kg)*	4,255 lb (1 930 kg)
-4 ft 11 in (-1.5 m)	11,398 lb (5 170 kg)*	11,398 lb (5 170 kg)*	20,525 lb (9 310 kg)*	16,204 lb (7 350 kg)	14,550 lb (6 600 kg)	8,841 lb (4 010 kg)	9,502 lb (4 310 kg)	5,975 lb (2 710 kg)				23 ft 0 in (7.25 m)	7,341 lb (3 330 kg)	4,674 lb (2 120 kg)
-9 ft 10 in (-3.0 m)	18,585 lb (8 430 kg)*	18,585 lb (8 430 kg)*	21,605 lb (9 800 kg)*	16,446 lb (7 460 kg)	14,639 lb (6 640 kg)	8,929 lb (4 050 kg)	9,590 lb (4 350 kg)	6,063 lb (2 750 kg)				20 ft 0 in (6.31 m)	8,973 lb (4 070 kg)	5,710 lb (2 590 kg)
-14 ft 9 in (-4.5 m)			15,432 lb (7 000 kg)*	15,432 lb (7 000 kg)*	10,163 lb (4 610 kg)*	9,326 lb (4 230 kg)						15 ft 0 in (4.72 m)	9,348 lb (4 240 kg)*	8,774 lb (3 980 kg)

REAR BLADE UP - Mono boom 16 ft 5 in (5.0 m), arm 10 ft 2 in (3.10 m), 7,518 lb (3 410 kg) counterweight

24 ft 7 in (7.5 m)												18 ft 0 in (5.62 m)	5,908 lb (2 680 kg)*	5,908 lb (2 680 kg)*
19 ft 8 in (6.0 m)							7,804 lb (3 540 kg)*	6,570 lb (2 980 kg)				22 ft 0 in (6.83 m)	5,335 lb (2 420 kg)*	5,225 lb (2 370 kg)
14 ft 9 in (4.5 m)							8,333 lb (3 780 kg)*	6,415 lb (2 910 kg)	5,666 lb (2 570 kg)*	4,409 lb (2 000 kg)		24 ft 0 in (7.56 m)	5,159 lb (2 340 kg)*	4,343 lb (1 970 kg)
9 ft 10 in (3.0 m)			16,689 lb (7 570 kg)*	16,689 lb (7 570 kg)*	11,530 lb (5 230 kg)*	9,326 lb (4 230 kg)	9,480 lb (4 300 kg)*	6,107 lb (2 770 kg)	7,319 lb (3 320 kg)	4,299 lb (1 950 kg)		26 ft 0 in (7.93 m)	5,269 lb (2 390 kg)*	3,924 lb (1 780 kg)
4 ft 11 in (1.5 m)					14,264 lb (6 470 kg)*	8,598 lb (3 900 kg)	9,943 lb (4 510 kg)	5,754 lb (2 610 kg)	7,143 lb (3 240 kg)	4,145 lb (1 880 kg)		26 ft 0 in (8 m)	5,600 lb (2 540 kg)*	3,748 lb (1 700 kg)
0 ft (0 m)			14,639 lb (6 640 kg)*	14,330 lb (6 500 kg)	14,771 lb (6 700 kg)	8,091 lb (3 670 kg)	9,634 lb (4 370 kg)	5,490 lb (2 490 kg)	7,011 lb (3 180 kg)	4,034 lb (1 830 kg)		25 ft 0 in (7.78 m)	6,261 lb (2 840 kg)*	3,836 lb (1 740 kg)
-4 ft 11 in (-1.5 m)	11,398 lb (5 170 kg)*	11,398 lb (5 170 kg)*	20,525 lb (9 310 kg)*	14,242 lb (6 460 kg)	14,550 lb (6 600 kg)	7,915 lb (3 590 kg)	9,502 lb (4 310 kg)	5,379 lb (2 440 kg)				23 ft 0 in (7.25 m)	7,341 lb (3 330 kg)	4,211 lb (1 910 kg)
-9 ft 10 in (-3.0 m)	18,585 lb (8 430 kg)*	18,585 lb (8 430 kg)*	21,605 lb (9 800 kg)*	14,484 lb (6 570 kg)	14,639 lb (6 640 kg)	7,981 lb (3 620 kg)	9,590 lb (4 350 kg)	5,445 lb (2 470 kg)				20 ft 0 in (6.31 m)	8,973 lb (4 070 kg)	5,137 lb (2 330 kg)
-14 ft 9 in (-4.5 m)			15,432 lb (7 000 kg)*	15,080 lb (6 840 kg)	10,163 lb (4 610 kg)*	8,378 lb (3 800 kg)						15 ft 0 in (4.72 m)	9,348 lb (4 240 kg)*	7,893 lb (3 580 kg)

NOTE: *The above loads (kg) are compliant to the ISO standards and refer to the excavator equipped without bucket. The indicated loads are no more than 87% of hydraulic system lift capacity or 75% of static tipping load. Values marked with an asterisk (*) are limited by the hydraulic lifting capacity.



Line drawings are for illustrative purpose only and may not be exact representation of unit.

GENERAL DIMENSIONS - 2-PIECE BOOM

	8 ft (2.45 m) Arm	6 ft 7 in (2.00 m) Arm	8 ft 6 in (2.60 m) Arm
A. Overall length (with attachment):			
Traveling	20 ft 10 in (6 340 mm)	20 ft 11 in (6 375 mm)	20 ft 7 in (6 280 mm)
Transportation	27 ft 5 in (8 345 mm)	27 ft 6 in (8 390 mm)	27 ft 4 in (8 320 mm)
B. Overall height (to top of boom):			
Traveling	12 ft 11 in (3 930 mm)	12 ft 11 in (3 930 mm)	12 ft 11 in (3 930 mm)
Transportation	9 ft 8 in (2 950 mm)	9 ft 10 in (2 990 mm)	10 ft 5 in (3 165 mm)
C. Cab height	10 ft 7 in (3 230 mm)	10 ft 7 in (3 230 mm)	10 ft 7 in (3 230 mm)
D. Overall height (to top of handrail)	11 ft 4 in (3 450 mm)	11 ft 4 in (3 450 mm)	11 ft 4 in (3 450 mm)
E. Upper structure overall width	8 ft 2 in (2 485 mm)	8 ft 2 in (2 485 mm)	8 ft 2 in (2 485 mm)
F. Swing (rear end) radius	7 ft 5 in (2 250 mm)	7 ft 5 in (2 250 mm)	7 ft 5 in (2 250 mm)
G. Clearance height under upper structure	4 ft 2 in (1 265 mm)	4 ft 2 in (1 265 mm)	4 ft 2 in (1 265 mm)
H. Minimum ground clearance	1 ft 3 in (370 mm)	1 ft 3 in (370 mm)	1 ft 3 in (370 mm)
I. Wheel base (center-to-center of wheels)	8 ft 6 in (2 600 mm)	8 ft 6 in (2 600 mm)	8 ft 6 in (2 600 mm)
J. Wheel gauge	6 ft 5 in (1 944 mm) 6 ft 11 in (2 114 mm)	6 ft 5 in (1 944 mm) 6 ft 11 in (2 114 mm)	6 ft 5 in (1 944 mm) 6 ft 11 in (2 114 mm)
K. Undercarriage overall width	8 ft 4 in (2 530 mm)	8 ft 4 in (2 530 mm)	8 ft 4 in (2 530 mm)

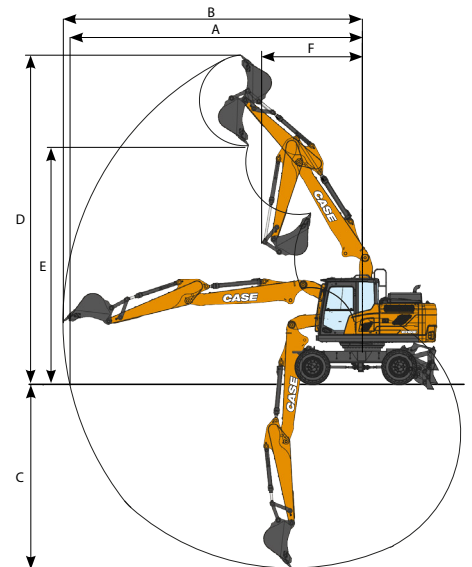
WEIGHT - 2-PIECE BOOM

Rear blade	40,458 lb (18 390 kg)
Rear blade and front stabilizers	43,142 lb (19 610 kg)
Standard counterweight	7,518 lb (3 410 kg)

NOTE: With 8 ft (2.45 m) arm, 24.7 ft³ (0.70 m³) bucket, 10.00x20 twin tires, standard counterweight, operator, lubricant, coolant, full fuel tank.

PERFORMANCE - 2-PIECE BOOM

	8 ft (2.45 m)	6 ft 7 in (2 m)	8 ft 6 in (2.6 m)
Boom length	16 ft 9 in (5 097 mm)	16 ft 9 in (5 097 mm)	16 ft 9 in (5 097 mm)
A. Maximum reach at groundline	28 ft 10 in (8 790 mm)	27 ft 3 in (8 310 mm)	29 ft 1 in (8 860 mm)
B. Maximum reach	29 ft 6 in (8 990 mm)	28 ft 0 in (8 530 mm)	29 ft 9 in (9 060 mm)
C. Max. digging depth	18 ft 2 in (5 540 mm)	16 ft 8 in (5 080 mm)	18 ft 7 in (5 660 mm)
D. Max. digging height	32 ft 5 in (9 870 mm)	31 ft 0 in (9 450 mm)	32 ft 1 in (9 770 mm)
E. Max. dumping height	23 ft 5 in (7 140 mm)	22 ft 1 in (6 740 mm)	23 ft 2 in (7 070 mm)
F. Min. swing radius	9 ft 11 in (3 030 mm)	11 ft 1 in (3 370 mm)	11 ft 6 in (3 500 mm)



DIGGING FORCE - 2-PIECE BOOM

	8 ft (2.45 m) Arm	6 ft 7 in (2 m) Arm	8 ft 6 in (2.6 m) Arm
Arm digging force	17,310 lbf (77 kN)	21,806 lbf (97 kN)	17,085 lbf (76 kN)
with Auto power up	18,883 lbf (84 kN)	23,829 lbf (106 kN)	18,658 lbf (83 kN)
Bucket digging force	25,852 lbf (115 kN)	25,852 lbf (115 kN)	25,852 lbf (115 kN)
with Auto power up	28,100 lbf (125 kN)	28,100 lbf (125 kN)	28,329 lbf (126 kN)

LIFTING CAPACITIES - 2-PIECE BOOM

Load/Lift Point Height	LOAD RADIUS						MAXIMUM REACH				
	4 ft 11 in (1.5 m)		9 ft 10 in (3.0 m)		14 ft 9 in (4.5 m)		19 ft 8 in (6.0 m)		REACH	CAPACITY	
	END	SIDE	END	SIDE	END	SIDE	END	SIDE	@	END	SIDE
REAR BLADE DOWN - 2-piece boom 16 ft 9 in (5.097 m), arm 6 ft 7 in (2.0 m), 7,518 lb (3 410 kg) counterweight											
24 ft 7 in (7.5 m)									14 ft 1 in (4.3 m)	10,274 lb (4 660 kg)*	10,274 lb (4 660 kg)*
19 ft 8 in (6.0 m)			9,370 lb (4 250 kg)*	9,370 lb (4 250 kg)*					19 ft 1 in (5.81 m)	9,502 lb (4 310 kg)*	7,231 lb (3 280 kg)
14 ft 9 in (4.5 m)			10,759 lb (4 880 kg)*	10,560 lb (4 790 kg)	9,458 lb (4 290 kg)*	6,790 lb (3 080 kg)			21 ft 10 in (6.65 m)	8,841 lb (4 010 kg)	5,732 lb (2 600 kg)
9 ft 10 in (3.0 m)			13,228 lb (6 000 kg)*	9,855 lb (4 470 kg)	10,163 lb (4 610 kg)	6,548 lb (2 970 kg)			23 ft 2 in (7.07 m)	7,915 lb (3 590 kg)	5,093 lb (2 310 kg)
4 ft 11 in (1.5 m)			15,080 lb (6 840 kg)	9,259 lb (4 200 kg)	9,855 lb (4 470 kg)	6,261 lb (2 840 kg)			23 ft 5 in (7.15 m)	7,650 lb (3 470 kg)	4,894 lb (2 220 kg)
0 ft (0 m)			14,793 lb (6 710 kg)	8,995 lb (4 080 kg)	9,700 lb (4 400 kg)	6,107 lb (2 770 kg)			22 ft 8 in (6.91 m)	7,981 lb (3 620 kg)	5,093 lb (2 310 kg)
-4 ft 11 in (-1.5 m)	21,848 lb (9 910 kg)*	16,667 lb (7 560 kg)	14,793 lb (6 710 kg)	8,995 lb (4 080 kg)	9,722 lb (4 410 kg)	6,129 lb (2 780 kg)			20 ft 8 in (6.29 m)	9,127 lb (4 140 kg)	5,798 lb (2 630 kg)
-9 ft 10 in (-3.0 m)									-	-	-

REAR BLADE UP - 2-piece boom 16 ft 9 in (5.097 m), arm 6 ft 7 in (2.0 m), 7,518 lb (3 410 kg) counterweight											
24 ft 7 in (7.5 m)									14 ft 1 in (4.3 m)	10,274 lb (4 660 kg)*	10,274 lb (4 660 kg)*
19 ft 8 in (6.0 m)			9,370 lb (4 250 kg)*	9,370 lb (4 250 kg)*					19 ft 1 in (5.81 m)	9,502 lb (4 310 kg)*	6,570 lb (2 980 kg)
14 ft 9 in (4.5 m)			10,759 lb (4 880 kg)*	9,568 lb (4 340 kg)	9,458 lb (4 290 kg)*	6,173 lb (2 800 kg)			21 ft 10 in (6.65 m)	8,841 lb (4 010 kg)	5,203 lb (2 360 kg)
9 ft 10 in (3.0 m)			13,228 lb (6 000 kg)*	8,885 lb (4 030 kg)	10,163 lb (4 610 kg)	5,908 lb (2 680 kg)			23 ft 2 in (7.07 m)	7,915 lb (3 590 kg)	4,608 lb (2 090 kg)
4 ft 11 in (1.5 m)			15,080 lb (6 840 kg)	8,289 lb (3 760 kg)	9,855 lb (4 470 kg)	5,644 lb (2 560 kg)			23 ft 5 in (7.15 m)	7,650 lb (3 470 kg)	4,409 lb (2 000 kg)
0 ft (0 m)			14,793 lb (6 710 kg)	6,757 lb (3 060 kg)	9,700 lb (4 400 kg)	5,490 lb (2 490 kg)			22 ft 8 in (6.91 m)	7,981 lb (3 620 kg)	4,586 lb (2 080 kg)
-4 ft 11 in (-1.5 m)	21,848 lb (9 910 kg)*	14,683 lb (6 660 kg)	14,793 lb (6 710 kg)	8,069 lb (3 650 kg)	9,722 lb (4 410 kg)	5,512 lb (2 500 kg)			20 ft 8 in (6.29 m)	9,127 lb (4 140 kg)	5,285 lb (2 370 kg)
-9 ft 10 in (-3.0 m)									-	-	-

REAR BLADE DOWN - 2-piece boom 16 ft 9 in (5.097 m), arm 8 ft 0 in (2.45 m), 7,518 lb (3 410 kg) counterweight											
24 ft 7 in (7.5 m)			8,686 lb (3 940 kg)*	8,686 lb (3 940 kg)*					16 ft 6 in (5.04 m)	7,187 lb (3 260 kg)*	7,187 lb (3 260 kg)*
19 ft 8 in (6.0 m)			8,356 lb (3 790 kg)*	8,356 lb (3 790 kg)*	8,488 lb (3 850 kg)*	7,011 lb (3 180 kg)			20 ft 11 in (6.37 m)	6,151 lb (2 790 kg)*	6,151 lb (2 790 kg)*
14 ft 9 in (4.5 m)			9,811 lb (4 450 kg)*	9,811 lb (4 450 kg)*	8,796 lb (3 990 kg)*	6,900 lb (3 130 kg)			23 ft 5 in (7.14 m)	5,776 lb (2 620 kg)*	5,137 lb (2 330 kg)
9 ft 10 in (3.0 m)			12,346 lb (5 600 kg)*	10,009 lb (4 540 kg)	9,833 lb (4 460 kg)*	6,592 lb (2 990 kg)	6,526 lb (2 960 kg)*	4,674 lb (2 120 kg)	24 ft 9 in (7.54 m)	5,732 lb (2 600 kg)*	4,630 lb (2 100 kg)
4 ft 11 in (1.5 m)			14,815 lb (6 720 kg)*	9,348 lb (4 240 kg)	9,899 lb (4 490 kg)	6,283 lb (2 850 kg)	7,143 lb (3 240 kg)	4,564 lb (2 070 kg)	25 ft 0 in (7.61 m)	5,997 lb (2 720 kg)*	4,475 lb (2 030 kg)
0 ft (0 m)			14,793 lb (6 710 kg)	8,995 lb (4 080 kg)	9,678 lb (4 390 kg)	6,085 lb (2 760 kg)			24 ft 3 in (7.38 m)	5,997 lb (2 720 kg)*	4,608 lb (2 090 kg)
-4 ft 11 in (-1.5 m)	19,467 lb (8 830 kg)*	16,446 lb (7 460 kg)	14,705 lb (6 670 kg)	8,929 lb (4 050 kg)	9,612 lb (4 360 kg)	6,041 lb (2 740 kg)			22 ft 4 in (6.81 m)	7,760 lb (3 520 kg)*	5,159 lb (2 340 kg)
-9 ft 10 in (-3.0 m)			14,110 lb (6 400 kg)*	9,105 lb (4 130 kg)					-	-	-

REAR BLADE DOWN (WIDE AXLES) - 2-piece boom 16 ft 9 in (5.097 m), arm 8 ft 0 in (2.45 m), 7,518 lb (3 410 kg) counterweight											
24 ft 7 in (7.5 m)			8,686 lb (3 940 kg)*	8,686 lb (3 940 kg)*					16 ft 6 in (5.04 m)	7,187 lb (3 260 kg)*	7,187 lb (3 260 kg)*
19 ft 8 in (6.0 m)			8,356 lb (3 790 kg)*	8,356 lb (3 790 kg)*	8,488 lb (3 850 kg)*	7,804 lb (3 540 kg)			20 ft 11 in (6.37 m)	6,151 lb (2 790 kg)*	6,151 lb (2 790 kg)*
14 ft 9 in (4.5 m)			9,811 lb (4 450 kg)*	9,811 lb (4 450 kg)*	8,796 lb (3 990 kg)*	7,694 lb (3 490 kg)			23 ft 5 in (7.14 m)	5,776 lb (2 620 kg)*	5,754 lb (2 610 kg)
9 ft 10 in (3.0 m)			12,346 lb (5 600 kg)*	11,288 lb (5 120 kg)	9,833 lb (4 460 kg)*	7,385 lb (3 350 kg)	6,526 lb (2 960 kg)*	5,247 lb (2 380 kg)	24 ft 9 in (7.54 m)	5,732 lb (2 600 kg)*	5,203 lb (2 360 kg)
4 ft 11 in (1.5 m)			14,815 lb (6 720 kg)*	10,582 lb (4 800 kg)*	9,921 lb (4 500 kg)	7,077 lb (3 210 kg)	7,165 lb (3 250 kg)	5,137 lb (2 330 kg)	25 ft 0 in (7.61 m)	5,997 lb (2 720 kg)*	5,027 lb (2 280 kg)
0 ft (0 m)			14,815 lb (6 720 kg)	10,207 lb (4 630 kg)	9,700 lb (4 400 kg)	6,878 lb (3 120 kg)			24 ft 3 in (7.38 m)	6,570 lb (2 980 kg)*	5,203 lb (2 360 kg)
-4 ft 11 in (-1.5 m)	19,467 lb (8 830 kg)*	19,136 lb (8 680 kg)	14,749 lb (6 690 kg)	10,141 lb (4 600 kg)	9,634 lb (4 370 kg)	6,834 lb (3 100 kg)			22 ft 4 in (6.81 m)	7,760 lb (3 520 kg)*	5,820 lb (2 640 kg)
-9 ft 10 in (-3.0 m)			14,110 lb (6 400 kg)*	10,340 lb (4 690 kg)					-	-	-

REAR BLADE UP - 2-piece boom 16 ft 9 in (5.097 m), arm 8 ft 0 in (2.45 m), 7,518 lb (3 410 kg) counterweight											
24 ft 7 in (7.5 m)			8,686 lb (3 940 kg)*	8,686 lb (3 940 kg)*					16 ft 6 in (5.04 m)	7,187 lb (3 260 kg)*	7,187 lb (3 260 kg)*
19 ft 8 in (6.0 m)			8,356 lb (3 790 kg)*	8,356 lb (3 790 kg)*	8,488 lb (3 850 kg)*	6,371 lb (2 890 kg)			20 ft 11 in (6.37 m)	6,151 lb (2 790 kg)*	5,710 lb (2 590 kg)
14 ft 9 in (4.5 m)			9,811 lb (4 450 kg)*	9,744 lb (4 420 kg)	8,796 lb (3 990 kg)*	6,261 lb (2 840 kg)			23 ft 5 in (7.14 m)	5,776 lb (2 620 kg)*	4,652 lb (2 110 kg)
9 ft 10 in (3.0 m)			12,346 lb (5 600 kg)*	9,039 lb (4 100 kg)	9,833 lb (4 460 kg)*	5,975 lb (2 710 kg)	6,526 lb (2 960 kg)*	4,211 lb (1 910 kg)	24 ft 9 in (7.54 m)	5,732 lb (2 600 kg)*	4,167 lb (1 890 kg)
4 ft 11 in (1.5 m)			14,815 lb (6 720 kg)*	8,378 lb (3 800 kg)	9,899 lb (4 490 kg)	5,666 lb (2 570 kg)	7,143 lb (3 240 kg)	4,123 lb (1 870 kg)	25 ft 0 in (7.61 m)	5,997 lb (2 720 kg)*	4,012 lb (1 820 kg)
0 ft (0 m)			14,793 lb (6 710 kg)	8,025 lb (3 640 kg)	9,678 lb (4 390 kg)	5,467 lb (2 480 kg)			24 ft 3 in (7.38 m)	6,570 lb (2 980 kg)*	4,145 lb (1 880 kg)
-4 ft 11 in (-1.5 m)	19,467 lb (8 830 kg)*	14,462 lb (6 560 kg)	14,705 lb (6 670 kg)	7,959 lb (3 610 kg)	9,612 lb (4 360 kg)	5,423 lb (2 460 kg)			22 ft 4 in (6.81 m)	7,760 lb (3 520 kg)*	4,630 lb (2 100 kg)
-9 ft 10 in (-3.0 m)			14,110 lb (6 400 kg)*	8,157 lb (3 700 kg)					-	-	-

NOTE: *The above loads (kg) are compliant to the ISO standards and refer to the excavator equipped without bucket. The indicated loads are no more than 87% of hydraulic system lift capacity or 75% of static tipping load. Values marked with an asterisk (*) are limited by the hydraulic lifting capacity.

LIFTING CAPACITIES - 2-PIECE BOOM

Load/Lift Point Height	LOAD RADIUS								MAXIMUM REACH			
	4 ft 11 in (1.5 m)		9 ft 10 in (3.0 m)		14 ft 9 in (4.5 m)		19 ft 8 in (6.0 m)		REACH	CAPACITY		
	END	SIDE	END	SIDE	END	SIDE	END	SIDE	@	END	SIDE	
REAR BLADE UP (WIDE AXLES) - 2-piece boom 16 ft 9 in (5.097 m), arm 8 ft 0 in (2.45 m), 7,518 lb (3 410 kg) counterweight												
24 ft 7 in (7.5 m)			8,686 lb (3 940 kg)*	8,686 lb (3 940 kg)*						16 ft 6 in (5.04 m)	7,187 lb (3 260 kg)*	7,187 lb (3 260 kg)*
19 ft 8 in (6.0 m)			8,356 lb (3 790 kg)*	8,356 lb (3 790 kg)*	8,488 lb (3 850 kg)*	6,989 lb (3 170 kg)				20 ft 11 in (6.37 m)	6,151 lb (2 790 kg)*	6,151 lb (2 790 kg)*
14 ft 9 in (4.5 m)			9,811 lb (4 450 kg)*	9,811 lb (4 450 kg)*	8,796 lb (3 990 kg)*	6,856 lb (3 110 kg)				23 ft 5 in (7.14 m)	5,776 lb (2 620 kg)*	5,137 lb (2 330 kg)
9 ft 10 in (3.0 m)			12,346 lb (5 600 kg)*	9,965 lb (4 520 kg)	9,833 lb (4 460 kg)*	6,570 lb (2 980 kg)	6,526 lb (2 960 kg)*	4,652 lb (2 110 kg)		24 ft 9 in (7.54 m)	5,732 lb (2 600 kg)*	4,608 lb (2 090 kg)
4 ft 11 in (1.5 m)			14,815 lb (6 720 kg)*	9,303 lb (4 220 kg)	9,921 lb (4 500 kg)	6,261 lb (2 840 kg)	7,165 lb (3 250 kg)	4,542 lb (2 060 kg)		25 ft 0 in (7.61 m)	5,997 lb (2 720 kg)*	4,453 lb (2 020 kg)
0 ft (0 m)			14,815 lb (6 720 kg)*	8,951 lb (4 060 kg)	9,700 lb (4 400 kg)	6,063 lb (2 750 kg)				24 ft 3 in (7.38 m)	6,570 lb (2 980 kg)*	4,586 lb (2 080 kg)
-4 ft 11 in (-1.5 m)	19,467 lb (8 830 kg)*	16,358 lb (7 420 kg)	14,749 lb (6 690 kg)	8,885 lb (4 030 kg)	9,634 lb (4 370 kg)	6,019 lb (2 730 kg)				22 ft 4 in (6.81 m)	7,760 lb (3 520 kg)*	5,137 lb (2 330 kg)
-9 ft 10 in (-3.0 m)			14,110 lb (6 400 kg)*	9,061 lb (4 110 kg)						-	-	-

REAR BLADE & FRONT STABILIZERS DOWN - 2-piece boom 16 ft 9 in (5.097 m), arm 8 ft 0 in (2.45 m), 7,518 lb (3 410 kg) counterweight												
24 ft 7 in (7.5 m)			8,686 lb (3 940 kg)*	8,686 lb (3 940 kg)*						16 ft 6 in (5.04 m)	7,187 lb (3 260 kg)*	7,187 lb (3 260 kg)*
19 ft 8 in (6.0 m)			8,356 lb (3 790 kg)*	8,356 lb (3 790 kg)*	8,488 lb (3 850 kg)*	8,488 lb (3 850 kg)*				20 ft 11 in (6.37 m)	6,151 lb (2 790 kg)*	6,151 lb (2 790 kg)*
14 ft 9 in (4.5 m)			9,811 lb (4 450 kg)*	9,811 lb (4 450 kg)*	8,796 lb (3 990 kg)*	8,796 lb (3 990 kg)*				23 ft 5 in (7.14 m)	5,776 lb (2 620 kg)*	5,776 lb (2 620 kg)*
9 ft 10 in (3.0 m)			12,346 lb (5 600 kg)*	12,346 lb (5 600 kg)*	9,833 lb (4 460 kg)*	9,833 lb (4 460 kg)*	6,526 lb (2 960 kg)*	6,526 lb (2 960 kg)*		24 ft 9 in (7.54 m)	5,732 lb (2 600 kg)*	5,732 lb (2 600 kg)*
4 ft 11 in (1.5 m)			14,815 lb (6 720 kg)*	14,815 lb (6 720 kg)*	11,001 lb (4 990 kg)*	10,604 lb (4 810 kg)	8,400 lb (3 810 kg)	7,672 lb (3 480 kg)		25 ft 0 in (7.61 m)	5,997 lb (2 720 kg)*	5,997 lb (2 720 kg)*
0 ft (0 m)			16,116 lb (7 310 kg)*	15,917 lb (7 220 kg)	11,773 lb (5 340 kg)*	10,384 lb (4 710 kg)				24 ft 3 in (7.38 m)	6,570 lb (2 980 kg)*	6,570 lb (2 980 kg)*
-4 ft 11 in (-1.5 m)	19,467 lb (8 830 kg)*	19,467 lb (8 830 kg)*	16,006 lb (7 260 kg)*	15,829 lb (7 180 kg)	11,684 lb (5 300 kg)*	10,340 lb (4 690 kg)				22 ft 4 in (6.81 m)	7,760 lb (3 520 kg)*	7,760 lb (3 520 kg)*
-9 ft 10 in (-3.0 m)			14,110 lb (6 400 kg)*	14,110 lb (6 400 kg)*						-	-	-

REAR BLADE & FRONT STABILIZERS UP - 2-piece boom 16 ft 9 in (5.097 m), arm 8 ft 0 in (2.45 m), 7,518 lb (3 410 kg) counterweight												
24 ft 7 in (7.5 m)			8,686 lb (3 940 kg)*	8,686 lb (3 940 kg)*						16 ft 6 in (5.04 m)	7,187 lb (3 260 kg)*	7,187 lb (3 260 kg)*
19 ft 8 in (6.0 m)			8,356 lb (3 790 kg)*	8,356 lb (3 790 kg)*	8,488 lb (3 850 kg)*	7,937 lb (3 600 kg)				20 ft 11 in (6.37 m)	6,151 lb (2 790 kg)*	6,151 lb (2 790 kg)*
14 ft 9 in (4.5 m)			9,811 lb (4 450 kg)*	9,811 lb (4 450 kg)*	8,796 lb (3 990 kg)*	7,826 lb (3 550 kg)				23 ft 5 in (7.14 m)	5,776 lb (2 620 kg)*	5,776 lb (2 620 kg)*
9 ft 10 in (3.0 m)			12,346 lb (5 600 kg)*	11,442 lb (5 190 kg)	9,833 lb (4 460 kg)*	7,540 lb (3 420 kg)	6,526 lb (2 960 kg)*	5,357 lb (2 430 kg)		24 ft 9 in (7.54 m)	5,732 lb (2 600 kg)*	5,313 lb (2 410 kg)
4 ft 11 in (1.5 m)			14,815 lb (6 720 kg)*	10,736 lb (4 870 kg)	10,009 lb (4 540 kg)	7,231 lb (3 280 kg)	5,269 lb (2 390 kg)	7,231 lb (3 280 kg)		25 ft 0 in (7.61 m)	5,997 lb (2 720 kg)*	5,137 lb (2 330 kg)
0 ft (0 m)			14,969 lb (6 790 kg)	10,384 lb (4 710 kg)	9,789 lb (4 440 kg)	7,011 lb (3 180 kg)				24 ft 3 in (7.38 m)	6,570 lb (2 980 kg)*	6,570 lb (2 980 kg)*
-4 ft 11 in (-1.5 m)	19,467 lb (8 830 kg)*	19,224 lb (8 720 kg)	14,881 lb (6 750 kg)*	10,318 lb (4 680 kg)	9,744 lb (4 420 kg)	6,967 lb (3 160 kg)				22 ft 4 in (6.81 m)	7,760 lb (3 520 kg)*	5,930 lb (2 690 kg)
-9 ft 10 in (-3.0 m)			14,110 lb (6 400 kg)*	10,516 lb (4 770 kg)						-	-	-

REAR BLADE DOWN - 2-piece boom 16 ft 9 in (5.097 m), arm 8 ft 6 in (2.6 m), 7,518 lb (3 410 kg) counterweight												
24 ft 7 in (7.5 m)			8,179 lb (3 710 kg)*	8,179 lb (3 710 kg)*						17 ft 2 in (5.23 m)	7,606 lb (3 450 kg)*	7,606 lb (3 450 kg)*
19 ft 8 in (6.0 m)			7,959 lb (3 610 kg)*	7,959 lb (3 610 kg)*	8,091 lb (3 670 kg)*	7,011 lb (3 180 kg)				21 ft 5 in (6.52 m)	6,592 lb (2 990 kg)*	6,019 lb (2 730 kg)
14 ft 9 in (4.5 m)			9,414 lb (4 270 kg)*	9,414 lb (4 270 kg)*	8,488 lb (3 850 kg)*	6,856 lb (3 110 kg)				23 ft 11 in (7.28 m)	6,239 lb (2 830 kg)*	4,938 lb (2 240 kg)
9 ft 10 in (3.0 m)			11,949 lb (5 420 kg)*	10,009 lb (4 540 kg)	9,568 lb (4 340 kg)*	6,548 lb (2 970 kg)	7,209 lb (3 270 kg)	4,630 lb (2 100 kg)		25 ft 2 in (7.67 m)	6,239 lb (2 830 kg)*	4,453 lb (2 020 kg)
4 ft 11 in (1.5 m)			14,484 lb (6 570 kg)*	9,281 lb (4 210 kg)	9,833 lb (4 460 kg)	6,239 lb (2 830 kg)	7,077 lb (3 210 kg)	4,497 lb (2 040 kg)		25 ft 5 in (7.74 m)	6,526 lb (2 960 kg)*	4,299 lb (1 950 kg)
0 ft (0 m)			14,683 lb (6 660 kg)	8,885 lb (4 030 kg)	9,590 lb (4 350 kg)	5,997 lb (2 720 kg)	7,011 lb (3 180 kg)	4,431 lb (2 010 kg)		24 ft 8 in (7.52 m)	6,989 lb (3 170 kg)	4,409 lb (2 000 kg)
-4 ft 11 in (-1.5 m)	18,982 lb (8 610 kg)*	16,248 lb (7 370 kg)	14,595 lb (6 620 kg)	8,796 lb (3 990 kg)	9,524 lb (4 320 kg)	5,930 lb (2 690 kg)				22 ft 10 in (6.96 m)	7,782 lb (3 530 kg)	4,916 lb (2 230 kg)
-9 ft 10 in (-3.0 m)			14,286 lb (6 480 kg)*	8,973 lb (4 070 kg)						-	-	-

REAR BLADE UP - 2-piece boom 16 ft 9 in (5.097 m), arm 8 ft 6 in (2.6 m), 7,518 lb (3 410 kg) counterweight												
24 ft 7 in (7.5 m)			8,179 lb (3 710 kg)*	8,179 lb (3 710 kg)*						17 ft 2 in (5.23 m)	7,606 lb (3 450 kg)*	7,606 lb (3 450 kg)*
19 ft 8 in (6.0 m)			7,959 lb (3 610 kg)*	7,959 lb (3 610 kg)*	8,091 lb (3 670 kg)*	6,371 lb (2 890 kg)				21 ft 5 in (6.52 m)	6,592 lb (2 990 kg)*	5,445 lb (2 470 kg)
14 ft 9 in (4.5 m)			9,414 lb (4 270 kg)*	9,414 lb (4 270 kg)*	8,488 lb (3 850 kg)*	6,239 lb (2 830 kg)				23 ft 11 in (7.28 m)	6,239 lb (2 830 kg)*	4,475 lb (2 030 kg)
9 ft 10 in (3.0 m)			11,949 lb (5 420 kg)*	9,017 lb (4 090 kg)	9,568 lb (4 340 kg)*	5,930 lb (2 690 kg)	7,209 lb (3 270 kg)	4,167 lb (1 890 kg)		25 ft 2 in (7.67 m)	6,239 lb (2 830 kg)*	4,012 lb (1 820 kg)
4 ft 11 in (1.5 m)			14,484 lb (6 570 kg)*	8,333 lb (3 780 kg)	9,833 lb (4 460 kg)	5,600 lb (2 540 kg)	7,077 lb (3 210 kg)	4,057 lb (1 840 kg)		25 ft 5 in (7.74 m)	6,526 lb (2 960 kg)*	3,858 lb (1 750 kg)
0 ft (0 m)			14,683 lb (6 660 kg)	7,937 lb (3 600 kg)	9,590 lb (4 350 kg)	5,379 lb (2 440 kg)	7,011 lb (3 180 kg)	3,968 lb (1 800 kg)		24 ft 8 in (7.52 m)	6,989 lb (3 170 kg)	3,968 lb (1 800 kg)
-4 ft 11 in (-1.5 m)	18,982 lb (8 610 kg)*	14,264 lb (6 470 kg)	14,595 lb (6 620 kg)	7,848 lb (3 560 kg)	9,524 lb (4 320 kg)	5,335 lb (2 420 kg)				22 ft 10 in (6.96 m)	7,782 lb (3 530 kg)	4,431 lb (2 010 kg)
-9 ft 10 in (-3.0 m)			14,286 lb (6 480 kg)*	8,003 lb (3,630 kg)						-	-	-

NOTE: *The above loads (kg) are compliant to the ISO standards and refer to the excavator equipped without bucket. The indicated loads are no more than 87% of hydraulic system lift capacity or 75% of static tipping load. Values marked with an asterisk (*) are limited by the hydraulic lifting capacity.

STANDARD EQUIPMENT

ENGINE

Cummins B4.5, water-cooled, 4-cylinder in line, 4.5-liter, high pressure common rail system (electronic control), waste gate turbocharger with air cooled intercooler, DOC+DPF+SCR aftertreatment, EGR free engine

Rated flywheel horsepower:

ISO 9249	170 hp (127 kW) @ 2200 RPM
ISO 14396	173 hp (129 kW) @ 2200 RPM

Maximum torque:

ISO 14396	575 ft-lb (780 Nm) @ 1500 RPM
-----------	-------------------------------

Tier 4 Final / Stage V certified

Ultra-low sulfur diesel and B7 biodiesel fuel certified

ECO gauge fuel efficiency indicator

Detailed historical fuel, work modes and throttle position utilization report

Variable power control on jog dial

Automatic, postponable after-treatment filter cleaning

Programmable electronically-controlled reversible fan

Programmable engine Auto Idle and Auto Shutdown functions

Automatic or manually controlled 9.2 gpm (35 L/min) electric refuel pump

DEF tank overload warning

Air intake cup-type pre-cleaner

Dual dry-type element air filter with warning restriction indicator

Air grid heater starting aid

Replaceable, full flow spin-on fuel and engine oil cartridges

Fuel pre-filter with water drain

Stacked cooling pack configuration

Protective screen for radiators

HYDRAULIC SYSTEM

Load sensing hydraulic system (LUDV) with advanced flow sharing hydraulics

3 - selectable work modes: Heavy Duty, Standard and Economy

1 - selectable user customized work mode - engine speed, idle speed, machine speed and pump flow

High flow multi-function with pressure setting circuit for one-way and two-way flow attachments

In monitor hydraulic settings storage and management for 10 one-way and 10 two-way attachments

3 - attachment work modes - push/detent/proportional

Quick coupler hydraulic circuit

Safety valves on boom with overload warning

Safety valves on arm, dozer blade, front axle oscillation cylinders

Power boost mode activated on joystick

Accumulator on boom cylinders for cushioning ride control system

Boom float control

High pressure hoses

Main pump Variable displacement piston pump

Max. oil flow	68.9 gpm (261 l/min) @ 1800 RPM
---------------	---------------------------------

Working circuit pressures

Boom/Arm/Bucket	4,975 psi (34.3 MPa) / 5,410 psi (37.3 MPa) with auto power boost
Swing circuit	3,844 psi (26.5 MPa)
Travel circuit	5,410 psi (37.3 MPa)
Pilot circuit	566 psi (3.9 MPa)

SWING

Fixed displacement radial piston swing motor

Automatic, spring applied hydraulic release (SAHR) swing brake system

Fine swing for precise and smooth upper carriage rotation

Swing lock to prevent undesirable upper carriage rotation

Maximum swing speed	9.3 RPM
Swing torque	23,307 ft-lb (31 600 Nm)

ELECTRICAL SYSTEM

Battery disconnect switch

Emergency engine stop switch

Voltage	24 V
Alternator	95 amp
Starter	24 V - 4.8 kW
Batteries	2 X 12 V - 100 Ah

UNDERCARRIAGE

Removable parallel mounting bolt-on designed rear blade and front stabilizers

Trailer hitch mount/provision with electrical connector for lights and hydraulic trailer dump single auxiliary hydraulic line (return by gravity)

Cab access steps

Toolbox with upper carriage access steps

Lashing points (tie downs)

UPPER CARRIAGE

Standard counterweight

Front and right-hand side handrails

Lockable cab door, fuel and DEF tanks, service doors and tool box

Rear work lamp

Head lights and indicator lights

LED working lights package

ATTACHMENTS

2-piece boom

Digging arm	8 ft 6 in (2.60 m)
-------------	--------------------

Digging arm reinforcements

Reinforced pins, bushings and polymer shims

DRIVELINE

2-speed hydrostatic powershift transmission

Permanent 4-wheel drive and front axle steering

Variable displacement bent-axis axial piston travel motor

Orbitrol steering system

Emergency steering system

Minimum turning radius	20 ft 8 in (6.3 m)
------------------------	--------------------

Automatic or manually controlled front axle oscillation lock

Fixed rear axle

4-sets of twin pneumatic tires

Wet multi-disc work/travel brakes

Wet multi-disc integrated in transmission park brake

Travel alarm

All around composite fenders - steerable on the front axle

High travel speed (Automatic travel speed shifting)

	24.8 mph (40 km/h)
Low travel speed	6.2 mph (10 km/h)
Creep speed	1.9 mph (3 km/h)

Drawbar pull 17,985 lbf (80 kN)

Gradeability 70% (35°)

OPERATOR'S STATION

Enclosed pressurized cab with air conditioning, heat and defrost with full climate control and lockable door

ROPS/FOPS certified

Standard same ignition key and all-around anti-vandalism key

One piece sliding fold-in front window and sliding left-hand side window

Safety glass for all windows, including laminated glass for front window for added protection

Sliding side window (left-hand)

High-back premium heated air-suspension and tilting seat

Sliding fore/after, weight, height, pan angle, depth, lumbar and backrest seat adjustments

Seatbelt and seatbelt warning system

Adjustable armrests and headrest

Gate lock hydraulic activation

Low-effort joystick controls

Joystick equipped proportional control, FNR transmission switch, detent activation and front axle oscillation lock

Selectable steering wheel or right-hand joystick steering

Slim 3-way adjustable steering column design

8 inch touchscreen monitor with instruments cluster

Instrument cluster navigation, air conditioning control and engine throttle powered by right-hand console jog dial module

Instrument cluster gauges: engine RPM, engine coolant temperature, hydraulic oil temperature, fuel level, DEF level, ECO, accelerometer dial, hourmeter

CASE MaxView 360-degree 4-camera with intelligent moving object detection technology and warning system for up to 16 ft 4 in (5 m) around the machine

Radar object detection and warning system for up to 32 ft 9 in (10 m) on the rear of the machine

Audio system including radio player, USB MP3 player, aux-in port for personal electronics and Bluetooth capability for hands-free calling

12-volt electric outlet

Adjustable speed cruise control mode

Emergency FNR switch

4-wheel auto-brake mode for attachment operation

Ride control system for smooth traveling and reduced attachment spillage

Clear roof view with sunshade

Rain deflector

Interior dome light

Emergency exit and hammer

2-piece rubber floor mat

Exterior mirrors

Cup holder

Storage compartments

Warm/cool storage compartment

Electric horn

Parallel windshield wiper and windshield washer

Cab filters (internal and external)

Cab suspension mounts to minimize noise and vibration

Operator's manual

NOISE

External sound level	LwA 96 dB(A)
Operator cab sound pressure level	LpA 71 dB(A)

CIRCUIT AND COMPONENT CAPACITIES

Fuel tank	66 gal (250 L)
Hydraulic system	54 gal (204 L)
Hydraulic tank	32 gal (122 L)
DEF tank	12.7 gal (48 L)

MAINTENANCE

Full Machine Protection Factory Warranty (3-yr/3000-hr), Planned Maintenance (3-yr/2000-hr)

Single-point engine daily checks under engine hood

Self-diagnostics system

Service interval:

- 250-hr greasing on boom and arm pins and bushings
- 800-hr engine oil and filter
- 1,000-hr fuel filter and pre-filter
- 2,000-hr air filters
- 5,000-hr hydraulic oil

OPTIONAL EQUIPMENT

HYDRAULICS

Secondary low 2-way flow electronic proportional controlled auxiliary hydraulics
Fine Swing control
Cold climate hydraulic oil

OPERATOR ENVIRONMENT

Rear view camera only
Rear and right-side cameras
Smart key with push to start button

FRONT END EQUIPMENT

Digging arm 8 ft (2.45 m)
Digging arm 8 ft 6 in (2.6 m)
Monoboam (ride control not available)

UPPER STRUCTURE

FOPS top cab guard
Wire mesh screen front guard
OPG Level 2 front guard

UNDERCARRIAGE

Rear blade
2F/2R stabilizers
F/R blade
Solid tires

CaseCE.com

©2023 CNH Industrial America LLC. All rights reserved. CASE is a trademark registered in the United States and many other countries, owned by or licensed to CNH Industrial N.V., its subsidiaries or affiliates. CNH Industrial Capital is a trademark in the United States and many other countries, owned by or licensed to CNH Industrial N.V., its subsidiaries or affiliates. Printed in U.S.A. Contains 10% post-consumer fiber.

IMPORTANT: CASE Construction Equipment Inc. reserves the right to change these specifications without notice and without incurring any obligation relating to such change. Availability of some models and equipment builds vary according to the country in which the equipment is used. The illustrations and text may include optional equipment and accessories and may not include all standard equipment. Your CASE dealer/distributor will be able to give you details of the products and their specifications available in your area.



CASE Construction Equipment is biodiesel-friendly. NOTE: All engines meet current EPA emissions regulations. All specifications are stated in accordance with SAE Standards or Recommended Practices, where applicable.



Always read the Operator's Manual before operating any equipment. Inspect equipment before using it, and be sure it is operating properly. Follow the product safety signs and use any safety features provided.

Form No. CCE202309WX160E

Replaces Form No. CCE202306WX160E

WX160E

12 of 12