



## ENGINE

|                                    |   |
|------------------------------------|---|
| Model                              | FPT F4HFE613J   |
| Emissions Certification            | Tier 4 Final Certified  |
| Cylinders                          | 6   |
| Displacement                       | 409 in <sup>3</sup> (6.7 L)                                   |
| Fuel injection                     | Common rail   |
| Fuel                               | #2 Diesel   |
| Fuel filter                        | Spin-on w/<br>in-line strainer                                |
| Air intake                         | Cross-flow  |
| Cooling                            | Liquid  |
| Engine speeds                      | RPM   |
| High idle - no load                | 2200 +/- 50   |
| Rated - full load                  | 2000  |
| Low idle                           | 800 +/- 25  |
| Horsepower @ 2000 RPM – SAE J1349: |   |
| Net                                | 214 hp (160 kW)   |
| Gross                              | 232 hp (173 kW)   |
| Engine lubrication:                |   |
| Pump                               | Deep sump plate cooler<br>w/ pressurized under-piston nozzles |
| Pump operating angle ratings:      |   |
| Side-to-side                       | 35°   |
| Fore and aft                       | 45°   |
| Oil filtration                     | Replaceable, spin-on<br>full-flow cartridge                   |
| Radiator:                          |   |
| Fins per inch                      | 10  |
| Fan:                               |   |
| Type                               | Variable speed/<br>Auto reversing/Hydraulic driven            |
| Diameter                           | 27.6 in (700 mm)  |

## DRIVETRAIN

|                         |  |
|-------------------------|--|
| Dual path hydrostatic:  |  |
| Pump                    | Variable axial piston  |
| Motor                   | Variable bent axis piston                                      |
| Max. drawbar pull       | 81,000 lb (360 kN)   |
| Transmission            | Single lever control –<br>electronic straight tracking         |
| Transmission oil filter | 4 micron at beta 75,<br>replaceable w/ 100 mesh suction screen |
| Travel speeds:          |  |
| Forward                 | 6.1 mph (9.8 kph)  |
| Reverse                 | 6.1 mph (9.8 kph)  |
| Parking brakes          | Heavy-duty, spring-applied,<br>hydraulic pressure release      |
| Steering brakes         | Hydrostatic  |
| Final drive             | 2 helical gear<br>reduction to planetary output                |
| Ratio                   | 48.75:1  |
| Transmission cooling:   |  |
| Type                    | Tube and fin   |
| Core size               | 510.1 in <sup>2</sup> (0.33 m <sup>2</sup> )                   |

## ELECTRICAL

|                   |   |
|-------------------|---|
| Alternator        | 120 amp   |
| Battery           | (2) 12-volt, low-maintenance<br>1200 cold-cranking amps @ 0° F (-18° C) |
| Electrical System | 24 Volts  |

## OPERATOR ENVIRONMENT

Fully enclosed ROPS cab; Single lever control for speed, steering and direction; Cloth air suspension seat w/ back adjustment; Retractable 3 in (76 mm) seat belt; Adjustable armrest; Two foot rest; Rearview mirror; Two door windshield wipers; Dome light; 12-volt accessory outlet; Headliner; Floor mat; Rear Wiper; Radio; Heat/AC.

Warning lights:  
Air filter; Alternator; Diagnostic fault indicator; Engine coolant temperature; Engine oil pressure; Hydraulic filter; Low fuel level; DEF fluid level; Park brake engaged; Service soon indicator; Transmission filter; Transmission charge pressure.

Gauges:  
Battery voltage; Fuel level; Digital hour meter/tachometer/diagnostic/service reminder; Transmission oil temperature; Transmission speed indicator; Water temperature; Diesel Exhaust Fluid (DEF) level.

Audible warnings:  
Engine coolant temperature; Engine oil pressure; Low fuel level; Transmission charge pressure; Temperature/hydraulic temperature.

## OPERATING WEIGHT

|   |                       |
|---|-----------------------|
| Unit equipped w/ cab, full fuel tank, 170 lb (77 kg) operator, rear retrieval hitch, track guides, PAT blade. |                       |
| Extra long track  | 45,414 lb (20 599 kg) |
| Wide track  | 46,891 lb (21 269 kg) |
| Low ground pressure   | 48,773 lb (22 123 kg) |
| Add-on weights:   |                       |
| Drawbar   | 146 lb (66 kg)        |
| Ripper – 3 shank  | 4,145 lb (1 880 kg)   |
| Winch   | 5,512 lb (2 500 kg)   |
| Ultra-Life chain:   |                       |
| 24 in (610 mm)  | 320 lb (145 kg)       |
| 28 in (711 mm)  | 251 lb (114 kg)       |
| 30 in (762 mm)  | 295 lb (134 kg)       |
| 36 in (914 mm)  | 302 lb (137 kg)       |
| Full rock guard   | 505 lb (229 kg)       |
| Sweeps  | 139 lb (63 kg)        |

## HYDRAULICS

|   |                      |
|---|----------------------|
| Pump flow @ 2200 RPM @ 2,830 psi (19 512 kPa) | 40.4 gpm (153 L/min) |
| Lift cylinder w/ PAT                          | Two (2)              |
| Bore diameter                                 | 4.50 in (114.3 mm)   |
| Rod diameter                                  | 2.50 in (63.5 mm)    |
| Stroke  | 19.21 in (488.0 mm)  |
| Angle cylinder w/ PAT                         | Two (2)              |
| Bore diameter                                 | 4.50 in (114.3 mm)   |
| Rod diameter                                  | 2.50 in (63.5 mm)    |
| Stroke  | 19.79 in (502.7 mm)  |
| Tilt cylinder w/ PAT                          | One (1)              |
| Bore diameter                                 | 5.00 in (127.0 mm)   |
| Rod diameter                                  | 2.50 in (63.5 mm)    |
| Stroke  | 5.84 in (148.4 mm)   |
| Lift cylinder – Bulldozer                     | Two (2)              |
| Bore diameter                                 | 3.68 in (93.5 mm)    |
| Rod diameter                                  | 2.25 in (57.2 mm)    |
| Stroke  | 35.67 in (906 mm)    |
| Tilt cylinder – Bulldozer                     | One (1)              |
| Bore diameter                                 | 4.50 in (114.3 mm)   |
| Rod diameter                                  | 2.50 in (63.5 mm)    |
| Stroke  | 3.89 in (98.9 mm)    |

## SERVICE CAPACITIES

|                        |                     |
|------------------------|---------------------|
| Fuel tank              | 107.0 gal (405.0 L) |
| Engine oil w/ filter   | 17.3 qt (16.4 L)    |
| Engine oil w/o filter  | 16.5 qt (15.6 L)    |
| Engine cooling system  | 8.0 gal (30.28 L)   |
| Hydraulic reservoir    | 55.0 gal (210.0 L)  |
| Final drive – per side | 26.4 qt (25.0 L)    |
| Track rollers – each   | 0.376 qt (0.356 L)  |
| Front idlers – each    | 0.349 qt (0.330 L)  |
| Carrier rollers – each | 0.328 qt (0.310 L)  |
| DEF tank               | 14.0 gal (52.0 L)   |

## OTHER SPECIFICATIONS

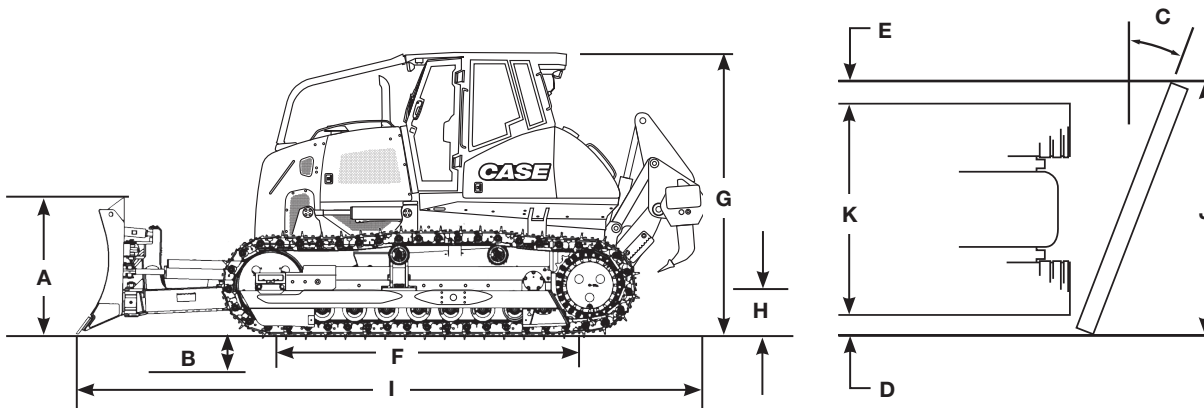
|                            |   |
|----------------------------|---|
| Undercarriage:             |   |
| Track adjustment           | Hydraulic   |
| Frame                      | Pivot shaft and oscillating equalizer beam suspension |
| Length of track on ground  | 128 in (3.25 m)                                       |
| Track link pitch           | 7.99 in (202.9 mm)                                    |
| Track shoe height          | 2.81 in (71.5 mm)                                     |
| Pin diameter               | 1.75 in (44.5 mm)                                     |
| Bushing diameter:          |   |
| SALT HD track              | 2.87 in (72.9 mm)                                     |
| Ultra Life track           | 2.87 in (72.9 mm)                                     |
| Track shoes per side       | 45  |
| Track rollers per side     | 8   |
| Carrier rollers per side   | 2   |
| Track roller rail diameter | 8.94 in (227 mm)                                      |

|                  |   |
|------------------|---|
| Track on ground: |   |
| Shoe area:       |   |
| 24 in (610 mm)   | 5,233 in <sup>2</sup> (33 760 cm <sup>2</sup> ) |
| 24 in (610 mm)   | 6,134 in <sup>2</sup> (39 575 cm <sup>2</sup> ) |
| 28 in (711 mm)   | 7,157 in <sup>2</sup> (46 171 cm <sup>2</sup> ) |
| 30 in (762 mm)   | 7,668 in <sup>2</sup> (49 469 cm <sup>2</sup> ) |
| 36 in (914 mm)   | 9,201 in <sup>2</sup> (59 363 cm <sup>2</sup> ) |

|                      |                              |
|----------------------|------------------------------|
| Track:               |                              |
| Extra long track:    |                              |
| 24 in (610 mm)       | closed grousers and SALT HD  |
| 24 in (610 mm)       | open grousers and Ultra Life |
| Wide track:          |                              |
| 28 in (711 mm)       | closed grousers and SALT HD  |
| 28 in (711 mm)       | open grousers and Ultra Life |
| 30 in (762 mm)       | closed grousers and SALT HD  |
| 30 in (762 mm)       | open grousers and Ultra Life |
| Low ground pressure: |                              |
| 36 in (914 mm)       | closed grousers and SALT HD  |
| 36 in (914 mm)       | open grousers and Ultra Life |

|                         |                         |
|-------------------------|-------------------------|
| Blade:                  |                         |
| Variable blade pitch    | 55° – 60°               |
| Lift speed – per second | 19.0 in (483 mm)        |
| Cutting edge – PAT      | Reversible, replaceable |
| Width                   | 10.0 in (254 mm)        |
| Thickness               | 0.8 in (20 mm)          |

|                       |                    |
|-----------------------|--------------------|
| Ripper:               |                    |
| Max. penetration      | 18.6 in (472.5 mm) |
| Width                 | 76.3 in (1 937 mm) |
| Cut width             | 74.4 in (1 890 mm) |
| Max. ground clearance | 23.7 in (601.7 mm) |
| Max. number of shanks | 3                  |
| Tooth spacing:        |                    |
| w/ 3 teeth            | 33.6 in (854.3 mm) |
| Hydraulic cylinder    |                    |
| Diameter              | 6.14 in (156 mm)   |
| Stroke                | 23.5 in (597 mm)   |
| Rod                   | 2.75 in (70 mm)    |



Line drawings are for illustrative purpose only and may not be exact representation of unit.

## DIMENSIONS

|                                       | Extra Long Track (XLT) with Semi-U           | Extra Long Track (XLT) with PAT              | Low Ground Pressure (LGP) with Straight PT   | Low Ground Pressure (LGP) with PAT           | Low Ground Pressure (LGP) with Semi-U        |
|---------------------------------------|--|--|--|--|--|
| Blade width                           | 134.7 in (3 422 mm)                          | 142 in (3 607 mm)                            | 154 in (3 900 mm)                            | 157.5 in (4 064 mm)                          | 157 in (3 988 mm)                            |
| SAE blade capacity                    | 7.29 yd <sup>3</sup> (5.57 m <sup>3</sup> )  | 6.32 yd <sup>3</sup> (4.83 m <sup>3</sup> )  | 4.94 yd <sup>3</sup> (3.78 m <sup>3</sup> )  | 7.12 yd <sup>3</sup> (5.54 m <sup>3</sup> )  | 7.98 yd <sup>3</sup> (6.10 m <sup>3</sup> )  |
| <b>A.</b> Blade height                | 56 in (1 418 mm)                             | 53.8 in (1 366 mm)                           | 43.5 in (1 105 mm)                           | 53.9 in (1 369 mm)                           | 53 in (1 349 mm)                             |
| Blade lift above ground               | 49 in (1 237.7 mm)                           | 44.5 in (1 130 mm)                           | 46 in (1 169 mm)                             | 44.5 in (1 130 mm)                           | 48.4 in (1 228 mm)                           |
| <b>B.</b> Blade depth below ground    | 21.5 in (546.8 mm)                           | 21.4 in (542.8 mm)                           | 20.0 in (507.8 mm)                           | 21.4 in (542.8 mm)                           | 21.6 in (548 mm)                             |
| <b>C.</b> Blade angle both directions | –  | 25°  | –  | 25°  | –  |
| <b>D.</b> Cast reach                  | 17.3 in (438.9 mm)                           | 22.7 in (576.4 mm)                           | 14.3 in (363 mm)                             | 18.6 in (472.1 mm)                           | 16.2 in (411 mm)                             |
| <b>E.</b> Cut reach                   | 17.3 in (438.9 mm)                           | 5.7 in (145.7 mm)                            | 14.3 in (363 mm)                             | 1.7 in (43.0 mm)                             | 16.2 in (411 mm)                             |
| Blade tilt, each end                  | 17 in (433 mm)                               | 21.7 in (550 mm)                             | 16.2 in (411 mm)                             | 21.7 in (550 mm)                             | 15.7 in (400 mm)                             |
| Track gauge                           | 76 in (1.94 m)                               | 76 in (1.94 m)                               | 89 in (2.26 m)                               | 89 in (2.26 m)                               | 89 in (2.26 m)                               |
| Maximum shoe width                    | 24 in (609 mm)                               | 24 in (609 mm)                               | 36 in (914 mm)                               | 36 in (914 mm)                               | 36 in (914 mm)                               |
| <b>F.</b> Length of track on ground   | 128 in (3.25 m)                              | 128 in (3.25 m)                              | 128 in (3.25 m)                              | 128 in (3.25 m)                              | 128 in (3.25 m)                              |
| Area of track on ground               | 7,161 in <sup>2</sup> (4.62 m <sup>2</sup> ) | 7,161 in <sup>2</sup> (4.62 m <sup>2</sup> ) | 9,107 in <sup>2</sup> (5.88 m <sup>2</sup> ) | 9,107 in <sup>2</sup> (5.88 m <sup>2</sup> ) | 9,107 in <sup>2</sup> (5.88 m <sup>2</sup> ) |
| Ground pressure                       | 7.33 psi (0.51 bar)                          | 7.33 psi (0.51 bar)                          | 5.35 psi (0.36 bar)                          | 5.35 psi (0.36 bar)                          | 5.35 psi (0.36 bar)                          |
| <b>G.</b> Height to top of ROPS cab   | 10 ft 4 in (3 150 mm)                        | 10 ft 4 in (3 150 mm)                        | 10 ft 4 in (3 150 mm)                        | 10 ft 4 in (3 150 mm)                        | 10 ft 4 in (3 150 mm)                        |
| Height to top of exhaust              | 9 ft 4 in (2 870.7 mm)                       | 9 ft 4 in (2 870.7 mm)                       | 9 ft 4 in (2 870.7 mm)                       | 9 ft 4 in (2 870.7 mm)                       | 9 ft 4 in (2 870.7 mm)                       |
| <b>H.</b> Ground clearance            | 16.1 in (408.2 mm)                           | 16.1 in (408.2 mm)                           | 16.1 in (408.2 mm)                           | 16.1 in (408.2 mm)                           | 16.1 in (408.2 mm)                           |
| Length:                               |  |  |  |  |  |
| Blade straight with drawbar           | 17 ft 7 in (5 359 mm)                        | 19 ft 4 in (5 902 mm)                        | 19 ft 3 in (5 867 mm)                        | 19 ft 4 in (5 902 mm)                        | 19 ft 6 in (5 980 mm)                        |
| <b>I.</b> Blade straight with ripper  | 22 ft 5 in (6 833 mm)                        | 24 ft 2 in (7 366 mm)                        | 22 ft 9 in (6 934 mm)                        | 24 ft 2 in (7 366 mm)                        | 24 ft 1 in (7 353 mm)                        |
| Width:                                |  |  |  |  |  |
| Blade straight                        | 11 ft 2 in (3 404 mm)                        | 11 ft 8 in (3 556 mm)                        | 12 ft 8 in (3 861 mm)                        | 13 ft 3 in (4 039 mm)                        | 13 ft 1 in (3 988 mm)                        |
| <b>J.</b> Blade angled                | –  | 10 ft 9 in (3 287 mm)                        | 12 ft 1 in (3 690 mm)                        | 11 ft 9 in (3 625 mm)                        | –  |
| <b>K.</b> Over track                  | 8 ft 3 in (2 515 mm)                         | 8 ft 3 in (2 515 mm)                         | 10 ft 4 in (3 150 mm)                        | 10 ft 4 in (3 150 mm)                        | 10 ft 4 in (3 166 mm)                        |

NOTE: Ground clearance and overall height dimensions are with the grousers fully penetrated. Add 2.19 in (56 mm) if unit is on solid surface.

## STANDARD EQUIPMENT

### OPERATOR ENVIRONMENT

See page 1

### ENGINE

F4HFE613J  
Tier 4 Final Certified  
V-Shape Cooling package with hydraulic-driven reversing fan  
Integral engine oil cooling  
Fuel filter  
Dual element radial seal air cleaner  
120 amp alternator  
(2) 950 CCA 12-volt batteries  
Coolant Heated DEF Lines  
Hinged engine side panels

## OPTIONAL EQUIPMENT

### OPERATOR ENVIRONMENT

Cab air quality system

### HYDRAULICS

4-spool hydraulic valve for field-installed ripper  
3-spool hydraulic valve without plugs for field-installed ripper  
3-spool hydraulic valve with plugs

### REAR MOUNTED EQUIPMENT

Ripper – 2 position with 3 shanks  
Drawbar  
Drawbar with step

### DRIVETRAIN

Dual path infinitely variable, single-lever controlled hydrostatic drive, with electronic straight tracking and counter-rotation  
Final drive:  
Triple reduction; helical gear/planetary decelerator with hydrostatic drive retardation  
Automatic spring-applied parking brake

### BLADE

55° – 60° variable pitch  
Single lever electro-hydraulic control for blade lift, angle and tilt

### UNDERCARRIAGE

Hydraulic track adjusters  
Sealed and Lubricated Track Chain (SALT)  
Permanently lubricated track and carrier rollers  
Track adjuster guard  
Track guides – front and rear  
Robust Smooth One Piece Track Frames with Easy Clean-out  
Robust Rock Guards  
Enhanced Track Recoil System  
Central Grease point for Pivot Shaft and Equalizer Beam

### BLADES

PAT – 142 in (3 607 mm) High Visibility Blade  
48 in height  
PAT – 142 in (3 607 mm)  
54 in height  
PAT – 157.5 in (4 000.5 mm)  
54 in height  
Folding PAT – 160 in (4 064 mm)  
HS Straight (WT/LGP) – 154 in (3 900 mm)  
Semi-U – 135 in (3 422 mm)  
Larger Bull Dozer LGP  
Semi-U Blade – 157 in (3 988 mm)  
HS Straight (XLT) – 131 in (3 334 mm)

### GUARDS

CAB canopy brush guard  
Full length rock guards  
Sweeps  
Waste Handler Guarding Package

### OTHER

Backup alarm  
Horn  
Work lights:  
2 front  
1 rear  
Ground Level Master disconnect switch  
Mirror  
Turbine Pre-cleaner  
Front pull hook  
Rear tow hook  
Environmental Drain  
Grid Heater/Cold Start  
Transport Protection  
Anti-vandalism package  
Rear Transmission guard

### TELEMATICS

CASE SiteWatch™ Telematics – includes hardware and a 3-yr Advanced data subscription

### PROCARE

CASE ProCare – Full Machine Protection Factory Warranty (3-yr/3000-hr), Planned Maintenance (3-yr/2000-hr) and SiteWatch telematics

### SCREENS

Cab rear screen

### OTHER

CASE Ultra Life Track  
Additional work lights

### PRECISION

Factory Fit CoPilot  
Factory Fit 2D Laser  
Factory Fit 3D GNSS  
Universal Blade Guidance:  
Compatible with Leica, Trimble and Topcon  
Leica Blade Guidance Ready  
Trimble Blade Guidance Ready  
Topcon Blade Guidance Ready

CaseCE.com

©2021 CNH Industrial America LLC. All rights reserved. CASE is a trademark registered in the United States and many other countries, owned by or licensed to CNH Industrial N.V., its subsidiaries or affiliates. CNH Industrial Capital is a trademark in the United States and many other countries, owned by or licensed to CNH Industrial N.V., its subsidiaries or affiliates. Printed in U.S.A. Contains 10% post-consumer fiber.

IMPORTANT: CASE Construction Equipment Inc. reserves the right to change these specifications without notice and without incurring any obligation relating to such change. Availability of some models and equipment builds vary according to the country in which the equipment is used. The illustrations and text may include optional equipment and accessories and may not include all standard equipment. Your CASE dealer/distributor will be able to give you details of the products and their specifications available in your area.



CASE Construction Equipment is biodiesel-friendly. NOTE: All engines meet current EPA emissions regulations. All specifications are stated in accordance with SAE Standards or Recommended Practices, where applicable.



Always read the Operator's Manual before operating any equipment. Inspect equipment before using it, and be sure it is operating properly. Follow the product safety signs and use any safety features provided.

Form No. CCE2021022050M  
Replaces Form No. CCE2019122050M

2050M

3 of 3