



ENGINE

Make	FPT
Model	F4HFE613R
Emissions Certification	Tier 4 Final
Emissions Technology	SCR/DOC
Type	4-stroke, turbocharged and air-to-air cooled
Cylinders	6-cylinder in-line
Bore/Stroke	4.09 x 5.20 in (104 x 132 mm)
Displacement	411 in ³ (6.7 L)
Fuel	#2 Diesel, #1 and #2 mixture permitted for cold temperatures
Fuel injection	Direct injection – electronic
Fuel filter	Replaceable, full flow spin-on cartridge
Fuel pump	Bosch CP 3.3
Gradeability:	
Side-to-side	35°
Fore and aft	35°
Air filter	Dry type elements w/ warning restriction indicator
Mid-mount cooling module w/ auto reversing fan:	Mid-mount air/water w/ Lube Oil Cooler
Fan – hydraulic driven:	
Style	8 blade puller
Diameter	32 in (813 mm)
Water pump	Integral
Engine oil pump operating angle ratings:	
Side-to-side	35°
Fore and aft	35°
Oil filtration	Replaceable, full flow spin-on cartridge
Engine speeds	RPM
Rated – full load	2000
Horsepower – Maximum Power:	
Peak gross @ 1600 RPM	255 hp (190 kW)
Net rated @ 2000 RPM	224 hp (167 kW)
Peak net @ 1600 RPM	242 hp (180 kW)
Torque – Maximum Power:	
Gross @ 1300 RPM	959 lb-ft (1 300 N-m)
Net @ 1300 RPM	930 lb-ft (1 261 N-m)
Net torque rise:	
Maximum power range	58%

NOTE: Gross horsepower and torque per SAE J1995.
Net horsepower and torque per SAE J1349.

DRIVETRAIN

Transmission:	4F/3R Proportional w/ Electronic Control Module torque sensing autoshift/manual shift and modulation	
Gears	Helical cut	
Gear ratios – 4-speed	Forward/Reverse	
1st	4.152/3.937	
2nd	2.184/2.071	
3rd	1.072/1.017	
4th	0.636/ –	
Gear ratios – 5-speed	Forward/Reverse	
1st	3.921/3.718	
2nd	2.255/2.138	
3rd	1.466/0.894	
4th	0.942/ –	
5th	0.613/ –	
Torque converter:		
Stall ratio – 4-speed	2.283:1	
Stall ratio – 5-speed	2.350:1	
Differential:		
Front axle equipped w/ locking differential		
Rear axle equipped w/ open differential		
Rear axle oscillation	24° total	
Front and rear axles:		
Differential ratio	4.11	
Planetary ratio	6.00	
Final axle ratio	24.67	
Planetaries	Outboard	
Service brakes:		
Hydraulically actuated, maintenance-free, multiple wet disc w/ accumulator to all four wheels		
Brake surface area:		
Front hub	841 in ² (0.542 m ²)	
Rear hub	721 in ² (0.465 m ²)	
Parking brakes:		
Spring-applied hydraulic release disc on transmission output shaft neutralizes power flow to wheels when engaged		
Travel speeds – 4-speed transmission:	Forward	Reverse
	mph (kph)	mph (kph)
1st	4.0 (6.4)	4.2 (6.8)
2nd	7.4 (12.0)	7.8 (12.6)
3rd	14.3 (23.1)	15.0 (24.2)
4th	22.4 (36.0)	–
Travel speeds – 5-speed transmission:	Forward	Reverse
	mph (kph)	mph (kph)
1st	4.0 (6.4)	4.2 (6.8)
2nd	6.9 (11.1)	7.3 (11.7)
3rd	10.6 (17.0)	17.2 (27.7)
4th	16.3 (26.3)	–
5th	25.0 (40.0)	–

NOTE: Travel speeds at full engine throttle w/ 23.5-R25 L3 Radial Tires.

ELECTRICAL

Voltage	24 Volts, negative ground
Alternator	120 amp
Batteries (2)	12-volt

OPERATOR ENVIRONMENT

ROPS cab AC w/ heat; 8" LCD touchscreen display, adjustable armrest w/ 3 configurable buttons; Key start; Articulated power steering w/ tilt column; Fully adjustable, heated air-ride seat w/ headrest; AM/FM Bluetooth radio w/ auxiliary input; Cab convenience package: rear sun shade, interior mirror, under the seat drawer, 12V accessory port, & coat hook; Foot throttle; Single lever (joystick) loader control w/ fully adjustable wrist rest, 2 cup holders; 2 interior rear view mirrors; 3 inch (76 mm) retractable seat belt; Integrated 4-corner strobe; Multiple storage trays; Single brake pedal; F/N/R shuttle switch; Left and Right external rear view mirrors; Sound suppression kit; Pressurized air filtering; Anti-glare window strip; Front and Rear Defroster; Side window, partial/fully open; 2 Dome lights; Wipers, rear and intermittent front; Windshield washers, front and rear; Rubber floor mat; Horn.

Displays/Gauges:

Digital:

Transmission oil temperature; Engine coolant temperature; Fuel level; DEF level.

LCD screen:

Hour meter; Engine speed; Travel speed; Time; Automatic transmission indication; Current gear selection; FNR indication; DeClutch indication; Engine mode indication; Trip computer A/B; Fuel consumption; Multiple languages, Metric/English; Engine diagnostics; Transmission diagnostics; Warning prompts; Error reporting; Diff. Lock*.

Audible/Visual alarms:

Warning lights:

Four-way flashers and turn signals; Brake pressure; Lamp/high beam indication; Engine Block Heater.

Caution warnings:

Parking brake; Coolant temperature; Hydraulic oil temperature; Transmission oil temperature; Air filter; Transmission filter; Hydraulic filter; Alternator; Low fuel.

Critical warnings:

Engine oil pressure; Brake pressure; Steering pressure – w/ aux steering*; Coolant temperature; Hydraulic oil temperature; Transmission oil temperature.

Backup alarm

Maintenance reminders:

Cab air filter; Engine oil filter; Fuel pre-filter; DEF tank vent filter; SCR supply filter; Hydraulic oil and filter; Engine air filter; Engine coolant; Drive belt; Cab recirculation filter; Engine breather filter; Transmission breather; Front and rear axle fluid; SCR supply module filter.

NOTE: *If equipped w/ option.

OPERATING WEIGHT

Z-Bar
Unit equipped w/ 23.5-R25 L3 Radial tires;
ROPS cab w/ heater and AC; Heavy-duty
counterweight – 6,435 lb (2 919 kg); Heavy-duty
batteries; Front and rear fenders; Lights; Full
fuel; Full urea; 165 lb (75 kg) operator; 4.75 yd³
(3.6 m³) GP pin on w/ bolt on edge:
45,070 lb (20 443 kg)

XR
Unit equipped w/ 23.5-R25 L3 Radial tires;
ROPS cab w/ heater and AC; Heavy-duty
counterweight – 6,435 lb (2 919 kg); Heavy-duty
batteries; Front and rear fenders; Lights; Full
fuel; Full urea; 165 lb (75 kg) operator; 4.75 yd³
(3.6 m³) GP pin on w/ bolt on edge:
45,651 lb (20 707 kg)

HYDRAULICS

Main pump – steering/implement:
Closed center pressure/flow compensated

Tandem variable displacement – load-sensing:
Max. rated flow P1: 42.6 gpm @ 2000 RPM
(162 L/min @ 2000 RPM)
Max. rated flow P2: 31.6 gpm @ 2000 RPM
(120 L/min @ 2000 RPM)

Loader control valve:
Closed-center, sectional 2, 3 or 4-function
w/ control for lift, tilt and auxiliary hydraulics

Loader auxiliary steering:
Hydraulic orbital center-pivot articulating
w/ on-demand oil flow

High pressure standby:
Implement 3,625 psi (25 000 kPa)
Steering 3,500 psi (24 132 kPa)

Filtration:
Filtered vent w/ relief on hydraulic reservoir,
maintains 3-5 psi on reservoir, 10-micron, return
filter furnishes only clean oil to all components
of the system

SERVICE CAPACITIES

Fuel tank	76 gal (288.0 L)
-----------	------------------

DEF tank – Diesel Exhaust Fluid:	
Usable	9.8 gal (37.1 L)
Total	15.6 gal (58.9 L)

Hydraulic system:	
Reservoir	29.0 gal (110.0 L)
Total	53.0 gal (200.0 L)

Transmission:	
Service w/ filter	36.0 qt (34.1 L)

Front and rear axle:	
Front axle	44.4 qt (42.0 L)
Rear axle	42.3 qt (40.0 L)

Engine oil w/ filter	16.0 qt (15.1 L)
----------------------	------------------

Cooling system	32 qt (30.0 L)
----------------	----------------

OTHER SPECIFICATIONS

Lift cylinder:	
Bore diameter	6.0 in (152.4 mm)
Rod diameter	3.5 in (88.9 mm)
Stroke	33.3 in (845.7 mm)

Dump cylinder:	
Bore diameter	7.0 in (177.8 mm)
Rod diameter	4.0 in (101.6 mm)
Stroke	23.6 in (600 mm)

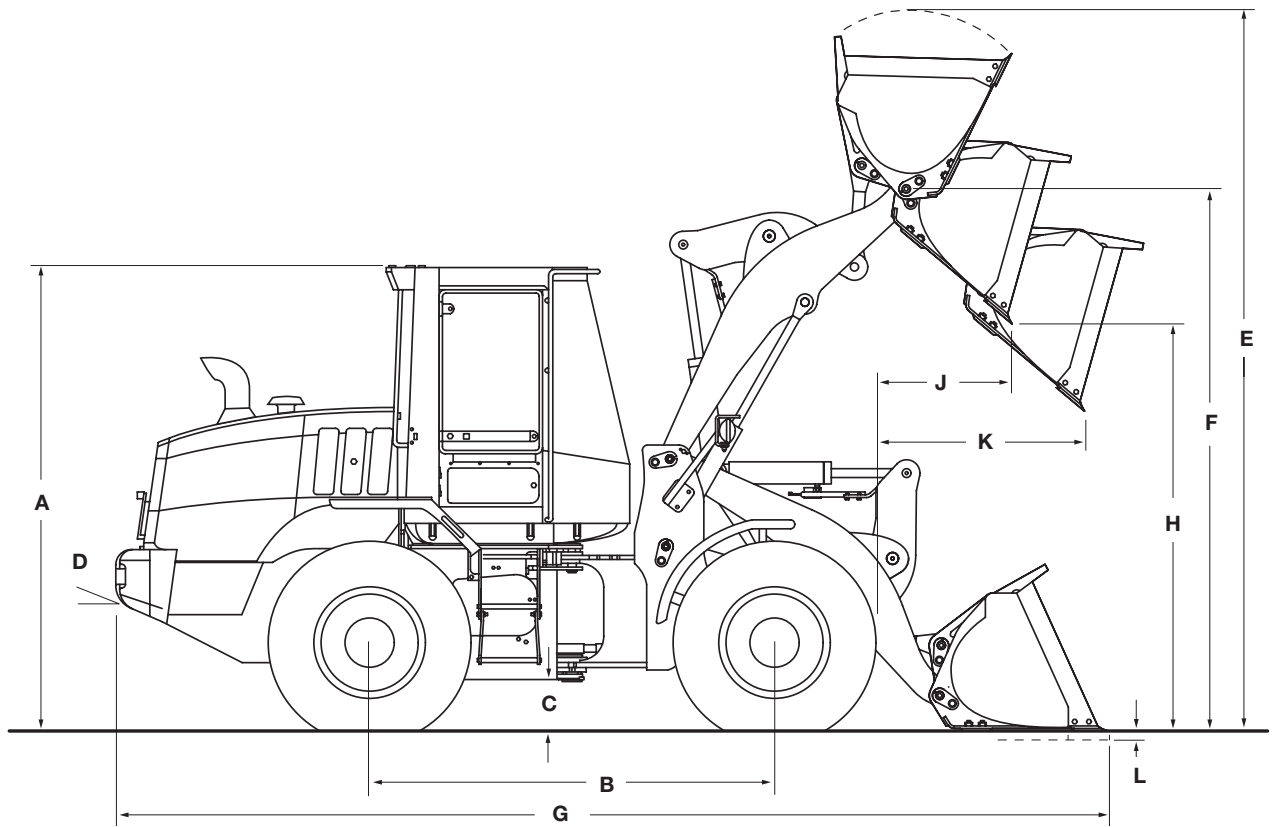
Loader:
Z-Bar loader linkage; Single control for
lift and tilt; Positive hold float; Automatic
return-to-dig; Automatic height control;
Automatic return-to-travel; Brake pedal
transmission disconnect; Bucket position
indicator on bucket.

Cycle time:	
Raise w/ rated bucket load	6.3 sec
Dump w/ rated bucket load	1.5 sec
Float down	3.6 sec

Sound level in Cab (LpA)	69 dB(A)
--------------------------	----------

Exterior sound level (LwA)	104 dB(A)
----------------------------	-----------

NOTE: Sound level data tested in accordance
with ISO6395, 6396, 3744.



Line drawings are for illustrative purpose only and may not be exact representation of unit.

DIMENSIONS

A. Height to top of ROPS cab	136.4 in (3 464 mm)
Height to drawbar	42.7 in (1 085 mm)
B. Wheelbase	131.5 in (3 340 mm)
C. Ground clearance	17.1 in (435 mm)
D. Angle of departure	29°
Width:	
Overall* without bucket	111.4 in (2 829 mm)
Tread width	87.8 in (2 230 mm)
Turning radius* – outside	236.3 in (6 003 mm)
Turning angle:	
From center	40°
Total angle	80°
Rear axle oscillation – total	24°

NOTE: *Dimensions taken with 23.5-R25 L3 Radial Tires. Additional dimensions on pages 4 through 6.

WEIGHT ADJUSTMENTS

Select Options	Weight Adjustment	Tipping Load Adjustment Straight: Deflected*	Tipping Load Adjustment 40° Turn: Deflected*
23.5-R25 L2 Radial tires	-28 lb (-13 kg)	-102 lb (-46 kg)	-117 lb (-53 kg)
23.5-R25 L3 Bias tires	-504 lb (-229 kg)	-459 lb (-208 kg)	-1,048 lb (-475 kg)

NOTE: Unit equipped with Z-Bar loader arms, 4.75 yd³ (3.6 m³) pin on bucket with bolt-on edge, 23.5-R25 L3 Radial Tires, ROPS cab with heater and air conditioner, heavy counterweight, heavy-duty batteries, front and rear fenders, full fuel and 165 lb (75 kg) operator. Adjust select options from rated weight.

*Tipping loads: ISO 14397-1 Deflected Tires.

PERFORMANCE SPECS

921G Z-Bar*		4.75 yd³ (3.6 m³) Bucket with Bolt-on Edge - Pin On	4.6 yd³ (3.5 m³) Bucket with Teeth - Pin On
Operating weight		45,070 lb (20 443 kg)	44,929 lb (20 379 kg)
E. Operating height – fully raised with spillguard		220.1 in (5 589 mm)	220.1 in (5 589 mm)
F. Hinge pin height – fully raised		162.4 in (4 124 mm)	162.4 in (4 124 mm)
G. Overall length – bucket level on ground		322.7 in (8 198 mm)	328.6 in (8 347 mm)
Dump angle – fully raised		55°	55°
H. Dump height – fully raised, 45° dump		114.6 in (2 912 mm)	110.9 in (2 816 mm)
J. Bucket reach – fully raised, 45° dump		46.8 in (1 189 mm)	51.2 in (1 302 mm)
K. Bucket reach – 7 ft 0 in (2.13 m) height, 45° dump		68.9 in (1 750 mm)	71.4 in (1 813 mm)
L. Dig depth		2.9 in (74 mm)	2.9 in (75 mm)
Operating load – ISO Rigid Tires		15,544 lb (7 051 kg)	15,775 lb (7 156 kg)
Operating load – ISO Deflected Tires		14,264 lb (6 470 kg)	14,479 lb (6 567 kg)
Maximum material density – ISO Rigid Tires		3,272 lb/yd ³ (1 942 kg/m ³)	3,429 lb/yd ³ (2 035 kg/m ³)
Maximum material density – ISO Deflected Tires		3,003 lb/yd ³ (1 782 kg/m ³)	3,148 lb/yd ³ (1 868 kg/m ³)
Tipping load – ISO Rigid Tires:	Straight	37,921 lb (17 201 kg)	38,448 lb (17 440 kg)
	40° turn	31,088 lb (14 101 kg)	31,551 lb (14 311 kg)
Tipping load – ISO Deflected Tires:	Straight	35,693 lb (16 190 kg)	36,187 lb (16 414 kg)
	40° turn	28,529 lb (12 940 kg)	28,958 lb (13 135 kg)
Lift capacity:	Full height	26,722 lb (12 120 kg)	26,882 lb (12 193 kg)
	Ground	45,618 lb (20 692 kg)	47,935 lb (21 743 kg)
Breakout force with tilt cylinder		37,688 lb (17 095 kg)	40,265 lb (18 264 kg)
Loader clearance circle with bucket		525.8 in (13 356 mm)	529.1 in (13 440 mm)

921G XR		4.75 yd³ (3.6 m³) Bucket with Bolt-on Edge - Pin On	4.6 yd³ (3.5 m³) Bucket with Teeth - Pin On
Operating weight		45,651 lb (20 707 kg)	45,510 lb (20 643 kg)
E. Operating height – fully raised with spillguard		237.4 in (6 031 mm)	237.4 in (6 031 mm)
F. Hinge pin height – fully raised		179.7 in (4 565 mm)	179.7 in (4 565 mm)
G. Overall length – bucket level on ground		341.9 in (8 684 mm)	347.7 in (8 833 mm)
Dump angle – fully raised		49°	49°
H. Dump height – fully raised, 45° dump		132.0 in (3 353 mm)	128.2 in (3 257 mm)
J. Bucket reach – fully raised, 45° dump		51.2 in (1 302 mm)	55.7 in (1 414 mm)
K. Bucket reach – 7 ft 0 in (2.13 m) height, 45° dump		86.3 in (2 191 mm)	89.0 in (2 262 mm)
L. Dig depth		5.5 in (141 mm)	5.6 in (141 mm)
Operating load – ISO Rigid Tires		13,119 lb (5 951 kg)	13,310 lb (6 037 kg)
Operating load – ISO Deflected Tires		11,521 lb (5 226 kg)	11,693 lb (5 304 kg)
Maximum material density – ISO Rigid Tires		2,762 lb/yd ³ (1 639 kg/m ³)	2,894 lb/yd ³ (1 717 kg/m ³)
Maximum material density – ISO Deflected Tires		2,426 lb/yd ³ (1 439 kg/m ³)	2,542 lb/yd ³ (1 508 kg/m ³)
Tipping load – ISO Rigid Tires:	Straight	30,674 lb (13 914 kg)	31,090 lb (14 102 kg)
	40° turn	26,238 lb (11 901 kg)	26,621 lb (12 075 kg)
Tipping load – ISO Deflected Tires:	Straight	28,901 lb (13 109 kg)	29,293 lb (13 287 kg)
	40° turn	23,042 lb (10 452 kg)	23,387 lb (10 608 kg)
Lift capacity:	Full height	24,608 lb (11 162 kg)	24,767 lb (11 234 kg)
	Ground	36,861 lb (16 720 kg)	37,203 lb (16 875 kg)
Breakout force with tilt cylinder		38,323 lb (17 383 kg)	40,940 lb (18 570 kg)
Loader clearance circle with bucket		545.6 in (13 858 mm)	549.6 in (13 959 mm)

921G		Z-Bar/XR	Z-Bar/XR
Maximum rollback:	Ground	41°/37°	41°/37°
	Carry position	45°/43°	45°/43°
	@ Full height	59°/60°	59°/60°
Maximum grading angle with bucket – back dragging		61°/63°	62°/65°
SAE bucket capacity – struck		4.08 yd ³ (3.12 m ³)	3.98 yd ³ (3.04 m ³)
Heaped		4.75 yd ³ (3.63 m ³)	4.60 yd ³ (3.52 m ³)
Bucket width – outside		119.3 in (3 030 mm)	119.2 in (3 027 mm)
Bucket weight		3,674 lb (1 666 kg)	3,532 lb (1 602 kg)

PERFORMANCE SPECS

921G Z-Bar*		4.0 yd³ (3.1 m³) Bucket with Bolt-on Edge - JRB Coupler	3.8 yd³ (2.9 m³) Bucket with Teeth - JRB Coupler	4.0 yd³ (3.1 m³) Bucket with Bolt-on Edge - ACS Coupler	3.8 yd³ (2.9 m³) Bucket with Teeth - ACS Coupler
Operating weight		46,166 lb (20 941 kg)	46,025 lb (20 877 kg)	46,220 lb (20 965 kg)	46,078 lb (20 901 kg)
E. Operating height – fully raised with spillguard		222.1 in (5 641 mm)	222.1 in (5 641 mm)	219.0 in (5 562 mm)	219.0 in (5 563 mm)
F. Hinge pin height – fully raised		162.3 in (4 123 mm)	162.3 in (4 123 mm)	162.3 in (4 122 mm)	162.3 in (4 123 mm)
G. Overall length – bucket level on ground		328.2 in (8 337 mm)	334.1 in (8 486 mm)	324.0 in (8 230 mm)	329.9 in (8 379 mm)
Dump angle – fully raised		55°	55°	55°	55°
H. Dump height – fully raised, 45° dump		111.1 in (2 821 mm)	107.3 in (2 725 mm)	113.8 in (2 890 mm)	110.0 in (2 794 mm)
J. Bucket reach – fully raised, 45° dump		51.0 in (1 295 mm)	55.4 in (1 408 mm)	47.8 in (1 213 mm)	52.2 in (1 326 mm)
K. Bucket reach – 7 ft 0 in (2.13 m) height, 45° dump		71.3 in (1 810 mm)	73.6 in (1 869 mm)	69.4 in (1 764 mm)	71.9 in (1 826 mm)
L. Dig depth		2.9 in (75 mm)	3.0 in (76 mm)	2.9 in (75 mm)	3.0 in (76 mm)
Operating load – ISO Rigid Tires		14,056 lb (6 376 kg)	14,268 lb (6 472 kg)	14,458 lb (6 558 kg)	14,679 lb (6 658 kg)
Operating load – ISO Deflected Tires		12,882 lb (5 843 kg)	13,079 lb (5 933 kg)	13,249 lb (6 010 kg)	13,454 lb (6 103 kg)
Maximum material density – ISO Rigid Tires		3,514 lb/yd ³ (2 085 kg/m ³)	3,755 lb/yd ³ (2 228 kg/m ³)	3,615 lb/yd ³ (2 145 kg/m ³)	3,863 lb/yd ³ (2 292 kg/m ³)
Maximum material density – ISO Deflected Tires		3,220 lb/yd ³ (1 911 kg/m ³)	3,442 lb/yd ³ (2 042 kg/m ³)	3,312 lb/yd ³ (1 965 kg/m ³)	3,541 lb/yd ³ (2 101 kg/m ³)
Tipping load – ISO Rigid Tires:	Straight	34,496 lb (15 647 kg)	34,979 lb (15 866 kg)	35,472 lb (16 090 kg)	35,976 lb (16 318 kg)
	40° turn	28,112 lb (12 751 kg)	28,537 lb (12 944 kg)	28,916 lb (13 116 kg)	29,358 lb (13 317 kg)
Tipping load – ISO Deflected Tires:	Straight	32,471 lb (14 728 kg)	32,926 lb (14 935 kg)	33,380 lb (15 141 kg)	33,854 lb (15 356 kg)
	40° turn	25,763 lb (11 686 kg)	26,158 lb (11 865 kg)	26,498 lb (12 019 kg)	26,908 lb (12 205 kg)
Lift capacity:	Full height	25,513 lb (11 573 kg)	25,673 lb (11 645 kg)	25,510 lb (11 571 kg)	25,864 lb (11 732 kg)
	Ground	33,475 lb (15 184 kg)	34,900 lb (15 830 kg)	38,169 lb (17 313 kg)	48,195 lb (21 861 kg)
Breakout force with tilt cylinder		33,854 lb (15 356 kg)	35,974 lb (16 317 kg)	36,514 lb (16 562 kg)	38,959 lb (17 671 kg)
Loader clearance circle with bucket		529.0 in (13 437 mm)	532.4 in (13 523 mm)	526.5 in (13 374 mm)	529.9 in (13 459 mm)

921G XR		4.0 yd³ (3.1 m³) Bucket with Bolt-on Edge - JRB Coupler	3.8 yd³ (2.9 m³) Bucket with Teeth - JRB Coupler	4.0 yd³ (3.1 m³) Bucket with Bolt-on Edge - ACS Coupler	3.8 yd³ (2.9 m³) Bucket with Teeth - ACS Coupler
Operating weight		46,748 lb (21 204 kg)	46,606 lb (21 140 kg)	46,801 lb (21 228 kg)	46,659 lb (21 164 kg)
E. Operating height – fully raised with spillguard		239.5 in (6 082 mm)	239.5 in (6 082 mm)	236.4 in (6 004 mm)	236.4 in (6 004 mm)
F. Hinge pin height – fully raised		179.7 in (4 564 mm)	179.7 in (4 564 mm)	179.7 in (4 564 mm)	179.7 in (4 564 mm)
G. Overall length – bucket level on ground		347.4 in (8 823 mm)	353.2 in (8 972 mm)	343.2 in (8 716 mm)	349.0 in (8 865 mm)
Dump angle – fully raised		49°	49°	49°	49°
H. Dump height – fully raised, 45° dump		128.4 in (3 263 mm)	124.7 in (3 167 mm)	131.2 in (3 331 mm)	127.4 in (3 235 mm)
J. Bucket reach – fully raised, 45° dump		55.4 in (1 408 mm)	59.9 in (1 521 mm)	52.2 in (1 326 mm)	56.6 in (1 439 mm)
K. Bucket reach – 7 ft 0 in (2.13 m) height, 45° dump		88.9 in (2 258 mm)	91.5 in (2 325 mm)	86.9 in (2 206 mm)	89.6 in (2 276 mm)
L. Dig depth		5.6 in (141 mm)	5.6 in (142 mm)	5.6 in (141 mm)	5.6 in (142 mm)
Operating load – ISO Rigid Tires		11,886 lb (5 392 kg)	12,064 lb (5 472 kg)	12,177 lb (5 523 kg)	11,685 lb (5 300 kg)
Operating load – ISO Deflected Tires		10,395 lb (4 715 kg)	10,557 lb (4 788 kg)	10,650 lb (4 831 kg)	10,816 lb (4 906 kg)
Maximum material density – ISO Rigid Tires		2,972 lb/yd ³ (1 763 kg/m ³)	3,175 lb/yd ³ (1 884 kg/m ³)	3,044 lb/yd ³ (1 806 kg/m ³)	3,075 lb/yd ³ (1 825 kg/m ³)
Maximum material density – ISO Deflected Tires		2,599 lb/yd ³ (1 542 kg/m ³)	2,778 lb/yd ³ (1 648 kg/m ³)	2,662 lb/yd ³ (1 580 kg/m ³)	2,846 lb/yd ³ (1 689 kg/m ³)
Tipping load – ISO Rigid Tires:	Straight	27,963 lb (12 684 kg)	28,350 lb (12 860 kg)	28,646 lb (12 993 kg)	28,778 lb (13 053 kg)
	40° turn	23,773 lb (10 783 kg)	24,128 lb (10 944 kg)	24,353 lb (11 046 kg)	23,371 lb (10 601 kg)
Tipping load – ISO Deflected Tires:	Straight	26,322 lb (11 940 kg)	26,689 lb (12 106 kg)	26,960 lb (12 229 kg)	27,338 lb (12 400 kg)
	40° turn	20,790 lb (9 430 kg)	21,113 lb (9 577 kg)	21,299 lb (9 661 kg)	21,631 lb (9 812 kg)
Lift capacity:	Full height	23,413 lb (10 620 kg)	23,572 lb (10 692 kg)	23,404 lb (10 616 kg)	23,741 lb (10 769 kg)
	Ground	34,420 lb (15 613 kg)	34,752 lb (15 763 kg)	35,045 lb (15 896 kg)	36,562 lb (16 584 kg)
Breakout force with tilt cylinder		34,432 lb (15 618 kg)	36,585 lb (16 595 kg)	37,135 lb (16 844 kg)	39,618 lb (17 970 kg)
Loader clearance circle with bucket		549.4 in (13 955 mm)	553.5 in (14 059 mm)	546.4 in (13 880 mm)	550.5 in (13 982 mm)

921G		Z-Bar/XR	Z-Bar/XR	Z-Bar/XR	Z-Bar/XR
Maximum rollback:	Ground	41°/37°	41°/37°	41°/37°	41°/37°
	Carry position	45°/43°	45°/43°	45°/43°	45°/43°
	@ Full height	59°/60°	59°/60°	59°/60°	59°/60°
Maximum grading angle with bucket – back dragging		62°/65°	64°/67°	61°/64°	63°/65°
SAE bucket capacity – struck		3.41 yd ³ (2.61 m ³)	3.25 yd ³ (2.48 m ³)	3.41 yd ³ (2.61 m ³)	3.25 yd ³ (2.48 m ³)
	Heaped	4.00 yd ³ (3.06 m ³)	3.80 yd ³ (2.91 m ³)	4.00 yd ³ (3.06 m ³)	3.80 yd ³ (2.91 m ³)
Bucket width – outside		119.3 in (3 030 mm)	119.2 in (3 027 mm)	119.3 in (3 030 mm)	119.2 in (3 027 mm)
Bucket weight		4,770 lb (2 164 kg)	4,629 lb (2 100 kg)	4,824 lb (2 188 kg)	4,682 lb (2 124 kg)

NOTE: *Z-Bar performance data shown with full counterweight.

Performance data unit equipped with 23.5-R25 L3 Radial tires, ROPS cab with heater and air conditioner, full counterweight, standard batteries, front and rear fenders, full fuel and 165 lb (75 kg) operator. Specifications per SAE J732, J1234, J695, J742, and J818.

STANDARD EQUIPMENT

OPERATOR ENVIRONMENT

See page 1

ENGINE

CASE/FPT F4HFE613R
Tier 4 Final Certified
Selective Catalytic Reduction (SCR) with Diesel Oxidation Catalyst
Selectable work modes:
Maximum Mode
Smart Mode
Turbocharger
Charge air cooling
Automatic belt tensioner
Integral engine oil cooling
Fuel filter with water trap
Dual-element dry-type air cleaner
Hydraulic-driven cooling fan
Air-cooled radiator
Mid-mounted cooling module with hydraulically driven auto-reversing fan
Engine block heater
Sound suppression kit
Ejector type air precleaner
Common rail electronic fuel injection

LOADER

See page 2 – Operating weight,
Other specifications

DRIVETRAIN

4-wheel drive
4F/3R Selectable autoshift/manual shift transmission
Electronic Control Module – programmable, computer controlled proportional shifting with programmable gear selection
Onboard diagnostics
Single lever electronic shift control
F/N/R switch in loader control handle
Downshift button
Torque converter
Heavy-duty axles:
With locking front differential and open/conventional rear differential
Outboard planetary axles
Transmission oil cooler
Brake pedal transmission disconnect – declutch
Hydraulic wet disc brakes
Spring-applied hydraulic release parking brake
Limp-Home Mode
Greaseable rear axle trunnion
3-piece rims

HYDRAULICS

Adjustable Electro-hydraulic – EH joystick loader control and 3 configurable buttons
Adjustable EH settings:
Smooth
Moderate
Aggressive
Integrated Payload System
Auxiliary Hydraulics
Ride Control™
Locking hydraulics for coupler
EH Parallel Lift
Low-effort steering
Hydraulic driven cooling fan
Diagnostic quick couplers
Split flange hydraulic connections – 1 in or greater
Hydraulic oil cooler

ELECTRICAL

Alternator and voltage regulator
Battery isolator/electrical disconnect
120 amp alternator
(2) 700 CCA 12-volt batteries
Electric starter
Lights:
Integrated 4-corner strobe
2 Front and 2 rear halogen flood lights
2 Front driving headlights – high/low beam with integrated turn signals
2 LED stop/tail lights with integrated turn signals
Key start/stop switch
Backup alarm
Centrally located fuse box with all electrical circuits protected
Remote jump start posts

OTHER

Electric hood lift
Front and rear fenders, partial coverage
External rear view mirrors
Heavy counterweight
Drawbar hitch
Articulation locking bar
Lift arm locking bar
Lift and tie-down points – front/rear
Rear frame side covers
License plate brackets; front bracket and lit rear bracket
Rubber steering stops
Standard fenders with Left hand and Right hand steps
Grouped remote-mounted ecology drains:
Engine oil
Engine coolant
Hydraulic oil

TELEMATICS

CASE SiteWatch™ Telematics – includes hardware and a 3-yr Advanced data subscription
SiteConnect Module provides remote diagnostics capability

OPTIONAL EQUIPMENT

OPERATOR ENVIRONMENT

Leather trimmed heated air seat with active suspension
In cab powered cooler box
In cab accessory mount
Rear view camera
External heated rear view mirrors
Front LED driving/headlights
LED front and rear work lights – 4 front, 2 rear

DRIVETRAIN

5F/3R Autoshift/manual shift transmission, lockup torque converter, PowerInch de-clutch
Cold weather package:
Heavy-duty (2) 950 CCA 12V batteries
Fuel heater
Hydraulic oil cooler bypass
Low temperature hydraulic oil
Fast-warm hydraulic valve

HYDRAULICS

Secondary steering
Tire Pressure Monitoring System
2-function EH loader control with one auxiliary function
4-function EH loader control with two proportional auxiliary controls
2 Single axis EH levers and one auxiliary function
Joystick steering with or without secondary steering

LOADER

XR extended reach version
Attachment auxiliary hydraulics
Coupler systems – JRB or ACS compatible
Buckets – see pages 4 through 5

TIRES

23.5 x 25 L2 bias – dirt/traction
23.5 x 25 L3 bias – rock
23.5-R25 L2 radial – dirt/traction
23.5-R25 L3 radial – rock
23.5-R25 radial Michelin SnoPlus
Axle oscillation stops

OTHER

12.4 mph (20 kph) maximum speed control
Special paint
Skid plate and transmission
Wide full coverage fenders with right and left hand steps

CaseCE.com

©2022 CNH Industrial America LLC. All rights reserved. CASE is a trademark registered in the United States and many other countries, owned by or licensed to CNH Industrial N.V., its subsidiaries or affiliates. CNH Industrial Capital is a trademark in the United States and many other countries, owned by or licensed to CNH Industrial N.V., its subsidiaries or affiliates. Printed in U.S.A. Contains 10% post-consumer fiber.

IMPORTANT: CASE Construction Equipment Inc. reserves the right to change these specifications without notice and without incurring any obligation relating to such change. Availability of some models and equipment builds vary according to the country in which the equipment is used. The illustrations and text may include optional equipment and accessories and may not include all standard equipment. Your CASE dealer/distributor will be able to give you details of the products and their specifications available in your area.



CASE Construction Equipment is biodiesel-friendly. NOTE: All engines meet current EPA emissions regulations. All specifications are stated in accordance with SAE Standards or Recommended Practices, where applicable.



Always read the Operator's Manual before operating any equipment. Inspect equipment before using it, and be sure it is operating properly. Follow the product safety signs and use any safety features provided.

Form No. CCE202212921G
Replaces Form No. CCE202104921G

921G

7 of 7