

D SERIES 836D | 856D

SINCE

MOTOR

GRADERS



CASE
CONSTRUCTION

GETTING THE JOB DONE, CASE AFTER CASE.



Every day, the case for CASE Construction Equipment grows stronger — from delivering smart solutions for tough on-site challenges to providing the next generation of builders the tools needed to succeed, CASE machines are backed by more than 180 years of grit, sweat and get-the-job-done efficiency.

That no-nonsense attitude extends to our team, too: with over 300 North American dealer locations, a pipeline of inventors and engineers who will stop at nothing to create swift, smooth machines, service technicians who offer fix-it-right the first time service and an expansive parts inventory available at your fingertips, we're serious about offering steadfast sales, service and support as your construction equipment partner.

Together, we're not just building infrastructure — we're building stronger communities on a rock-solid foundation of hard work, hustle and pragmatic innovation. Because when it comes to helping you achieve your goals, no one will outwork us.

MOTOR GRADERS (MG)

02 CASE Story

03 Motor Grader Overview

04 Features & Benefits

07 Specifications

08 Attachments

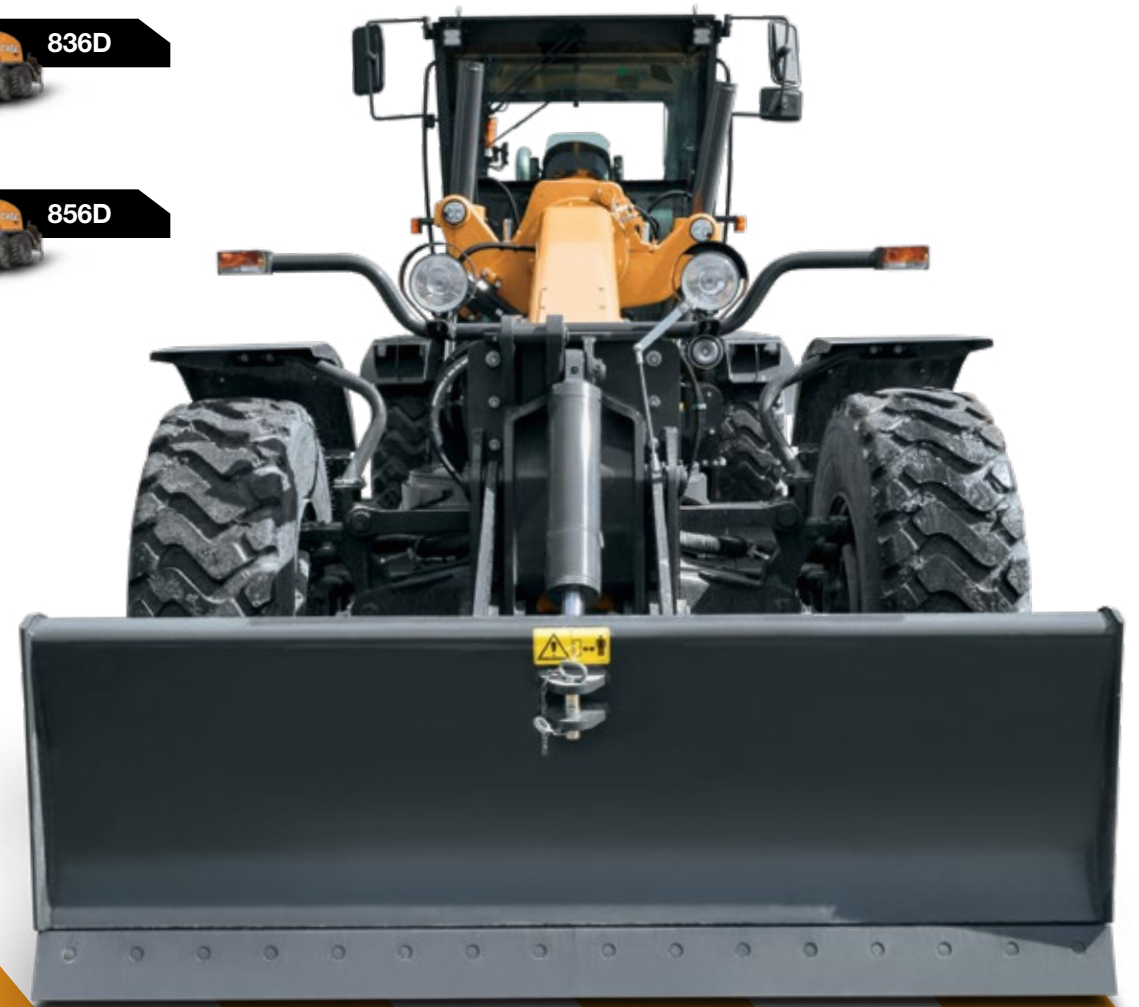
09 Precision

10 Value of Support



FLATTEN EVERY OBSTACLE.

CASE D Series motor graders don't just overcome jobsite obstacles — they flatten the competition with every feature you need to level, grade and shove challenges aside. Fitted with a powerful engine, Tier 4 Final emissions, smooth handling and rugged, industry-standard moldboards, these compact champs have been upgraded to help you get more done in less time with better results.



LEVEL ROADBLOCKS, BUILD BUSINESS.

Ready to take your operation to the next level? Here's what makes CASE D Series motor graders the smart choice for tough jobs.



1 A NO-NONSENSE MOLDBOARD.

An industry-standard, single radius, high-carbon steel moldboard comes job-ready — operators can get straight to work with zero retraining and more confidence.

2 TIGHT TURNS. FULL VISIBILITY.

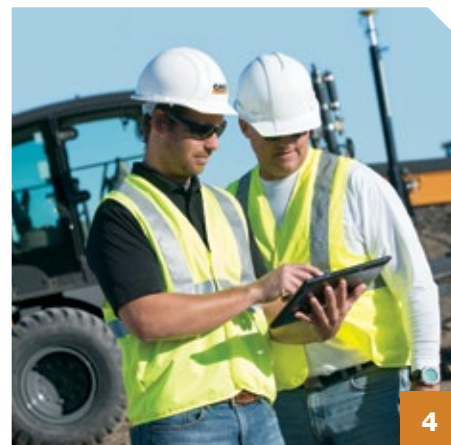
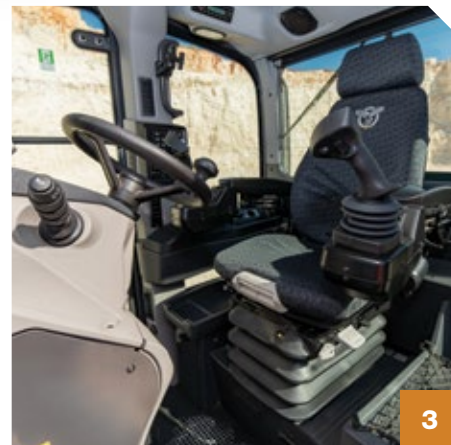
CASE D Series motor graders offer a tight turning radius and enhanced visibility to all key components. Backup camera and LED work lights help you avoid obstructions in all types of conditions.

3 AN OPERATOR-FIRST CAB.

This spacious cab comes loaded with comfort features. A standard 7-in LCD touchscreen provides machine metrics and operator adjustments, while the floating side console includes HVAC, rotary knob throttle control and tire pressure monitoring.

4 TRUSTED, SIMPLE TECH.

Easy-to-use integrated technology offers real-time equipment monitoring and quick remote service diagnostics, reducing machine downtime and keeping you in the game.



5 RUGGED BLADES.

The heavy-duty circle drive comes equipped with an overload clutch that protects against sudden impacts. Its fully enclosed slewing ring reduces wear on the blade teeth, helping extend the machine's service life. And with no shear pins required, maintenance stays quick and hassle-free.

6 SMOOTH GRADING.

Optional electro-hydraulic joystick controls let you easily operate all blade, attachment and steering controls. The Powershift transmission provides smooth movement for operators at every skill level.

7 ENGINE AND EMISSION EFFICIENT.

Get the ideal power/torque curve for every operation with the FPT NEF 6.7L engine utilizing Variable Horsepower Technology. Tier 4 Final emissions deliver higher combustion temperatures and more efficiency while exceeding all North American standards.

8 EASY SERVICING.

A large, wide-opening hood and grouped service points make engine, fuel, diesel exhaust fluid, oil and hydraulic maintenance simple. Sturdy tandem fender design offers extra space for deep machine access.



GRADE A SPECS.



SPECIFICATIONS	836D	836D AWD	856D	856D AWD
Engine	FPT NEF Tier 4 Final/Stage V Certified	FPT NEF Tier 4 Final/Stage V Certified	FPT NEF Tier 4 Final/Stage V Certified	FPT NEF Tier 4 Final/Stage V Certified
Net Horsepower @ 2100 RPM (Variable) — hp (kW)	137 (102) / 154 (115)	137 (102) / 154 (115)	173 (129) / 192 (142)	173 (129) / 192 (142)
Engine Displacement — (L)	6.7	6.7	6.7	6.7
Operating Weight — lb (kg)	26,495 (12 018)	27,318 (12 318)	33,995 (15 420)	34,877 (15 820)
Blade Pressure — lb (kg)	10,736 (4 870)	11,003 (4 991)	16,720 (7 519)	17,006 (7 714)
Maximum Forward Travel Speed — mph (kph)	24.4 (39.3)	24.4 (39.3)	23.0 (37.0)	23.0 (37.0)
Maximum Net Torque @ 1400 rpm — lb ft (Nm)	535 (725)	535 (725)	627 (850)	627 (850)
FWD/REV Gears	6 / 3	6 / 3	6 / 3	6 / 3
Total Flow — gpm (L/min)	25.0 (95) Mech* 34.8 (132) EH**	25.0 (95) Mech* 34.8 (132) EH**	33.2 (126) Mech* 47.0 (178) EH**	33.2 (126) Mech* 47.0 (178) EH**
DIMENSIONS	836D	836D AWD	856D	856D AWD
Moldboard Length — ft (mm)	11 (3 355)	11 (3 355)	12 (3 658)	12 (3 658)
Moldboard Height — in (mm)	20.7 (526)	20.7 (526)	23.7 (603)	23.7 (603)
Moldboard Thickness — in (mm)	0.59 (15)	0.59 (15)	0.79 (20)	0.79 (20)
Distance Between Outside Edges of Tires — ft (mm)	7.58 (2 303)	7.67 (2 326)	8.33 (2 549)	8.42 (2 555)
Wheel Tread — ft (mm)	6.33 (1 923)	6.33 (1 923)	6.92 (2 094)	6.92 (2 094)
Height to Top of Low-Profile Cab — ft (mm)	10.08 (3 060)	10.08 (3 060)	10.33 (3 150)	10.33 (3 150)
Tire Radius (When Static) — ft (mm)	1.58 (487)	1.58 (487)	1.92 (584)	1.92 (584)
Blade Base — ft (mm)	6.5 (1 981)	6.5 (1 981)	8.25 (2 504)	8.25 (2 504)
Distance Between Tandem Axles — ft (mm)	4.08 (1 241)	4.08 (1 241)	5.17 (1 573)	5.17 (1 573)
Distance Between Tandem Center & Wheel — ft (mm)	2 (621)	2 (621)	2.58 (787)	2.58 (787)
Wheelbase — ft (mm)	17.58 (5 351)	17.58 (5 351)	20.25 (6 023)	20.25 (6 023)
Overall Length (w/o Ripper or Front Attachment) — ft (mm)	27.33 (8 372)	27.33 (8 372)	30.25 (9 371)	30.25 (9 371)
Turning Radius — ft (mm)	21.67 (6 600)	22.33 (6 800)	23.92 (7 300)	23.92 (7 300)

*Mech = Mechanical Controls **EH = Electro-Hydraulic Controls

BUILD YOUR FLEET FROM THE GROUND UP.

OPERATOR ENVIRONMENT	836D	856D	MOLDBOARD ASSEMBLY	836D	856D
ROPS/FOPS Certified Low Profile 2-Door Pressurized Cab	●	●	A-Frame Drawbar	●	●
8-in Touchscreen w/ Rearview Camera	●	●	Hydraulically Controlled 5-Position Saddle	●	●
Hydrostatic Power Steering	●	●	Hydraulic Moldboard Side Shift & Pitch	●	●
Air Suspension Seat w/ Heater	●	●	Protected Circle Drive w/ Overload Clutch	○	○
Front & Rear Sunshade	●	●	Moldboard — 8 ft	○	—
Bluetooth Radio	●	●	Moldboard — 10 ft	○	—
OPERATION	836D	856D	Moldboard — 11 ft	●	○
Mechanical Controls	●	●	Moldboard — 12 ft	—	●
Electro-Hydraulic Controls	○	○	Moldboard — 13 ft	—	○
Powershift Transmission w/ Automatic Gear Shifting	●	●	Moldboard Float Control	○	●
Torque Converter Integrated in Gearbox	●	●	Moldboard Extensions	○	○
Creep Mode	○	○	ATTACHMENTS	836D	856D
Load Sensing Hydraulic System	●	●	Hydraulic Ready for Rear Attachments	●	●
Hydraulic Diagnostic Quick Couplers	●	●	Rear Ripper	○	○
LED Work Lights	●	●	Rear Counterweight	○	○
Wheel Chocks	●	●	Moldboard Scarifier	○	○
Strobe Light	●	●	Front Push Plate	○	○
Battery Disconnect Switch	●	●	Front Pull Hook	○	○
Front & Rear Fenders	●	●	Rear Pull Hook	○	○
Backup Alarm	●	●	Front Blade	○	○
Lockable Toolbox	●	●	Front Blade Indicator	○	○
Tire Pressure Monitor System (TPMS)	●	●	Front Counterweight	○	○
Automatic Lubrication System	○	○	MACHINE CONTROL SYSTEMS	836D	856D
CASE ProCare Full Machine Protection	●	●	Universal Ready Machine Control	○	○
CASE Telematics (5-yr)	●	●	Machine Control Options	○	○

● Standard ○ Optional — Not Applicable

GO AHEAD. GET ATTACHED.

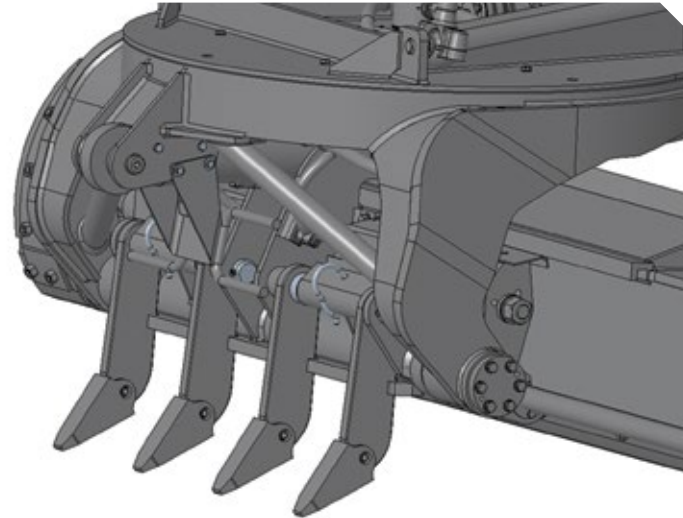
Whether you need a rear-mounted ripper, blade-mounted scarifier or front-mounted push blade, CASE D Series motor graders come packed with attachment flexibility. Need to move even more material? Choose from the 2-ft right side blade extension or bilateral blade extensions to get the job done fast.



See our full line at
**CASECE.COM/
ATTACHMENTS**



Front-Mounted Push Blade



Moldboard-Mounted Scarifier



Rear-Mounted Ripper



Moldboard

MACHINE CONTROL MADE EASY.



The Finest Grade.

CASE motor graders with machine control allow operators to get to grade faster, achieve greater quality, improve productivity, reduce rework and ultimately get the job done faster with less wear and tear on the equipment. CASE graders are machine control ready for work with all major suppliers of machine control technology, including CASE SiteControl solutions powered by Leica Geosystems.

This includes:

- > 2D Grader Systems
- > 3D Grader Systems with Optional Side Shift Technology
- > 3D Grader System with Dual GNSS Motor Grader Solution

Intelligent Power & Efficiency.

CASE motor graders feature intelligent high precision load-sensing hydraulics with a direct-activated axial piston pump that delivers only as much hydraulic pressure as needed. This drives efficiency, long-term reliability and makes operation easy and smooth. The machine's hydraulic control valves provide pressure compensation that allows the moldboard to be lifted or lowered in parallel, when both at full stroke, which prevents unintended slope loss due to hydraulic flow/pressure differences from side to side. A high-flow floor switch allows the operator to obtain maximum output from the hydraulic circuit at any time during operation.

Easier to Operate.

Direct-mounted hydraulic controls increase lever rigidity and reduce play in the system, giving the operator positive feedback and better control. And the optional float function flows oil unobstructed in the cylinders to let the moldboard naturally follow the ground contour.

NO ONE OUTWORKS US.

The customer doesn't just come first — you're at the center of everything we do. Your local CASE specialists are ready to help you do more of everything you do best: maximizing production, cutting costs and improving safety through a variety of services and technology.



Base & Extended Limited Warranty Coverage.*

- > 1-year/Unlimited-hour full-coverage base limited warranty
- > 2-year/2,000-hour extended limited engine warranty. Discuss the extended warranty coverage details with your dealer.



Tech that Delivers.

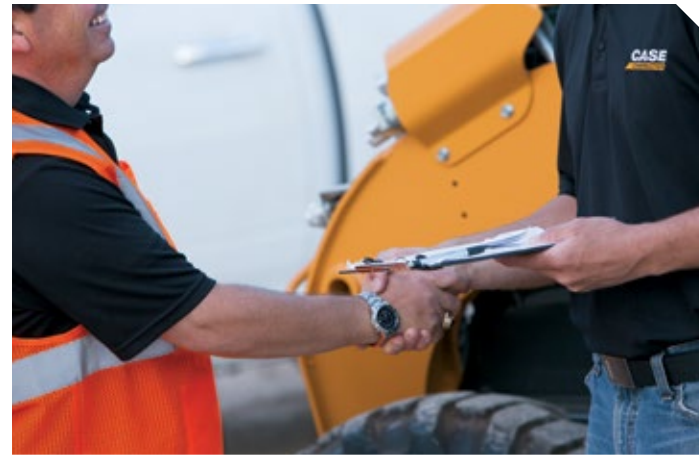
Command Your Fleet with Telematics

CASE Telematics puts real-time data in your hands. Track location, monitor working status and anticipate maintenance needs across your entire fleet — helping you turn good data into good decisions.

Precision Machine Control that Pays for Itself

SiteControl machine control solutions don't just improve accuracy — they transform profitability. Up your efficiency, productivity and profits anywhere the job takes you.

*See your CASE dealer for limitations, exclusions and confirmation of policies in effect. Engine warranty coverage provided through CASE. Second year machine warranty coverage applies after base warranty expires.



CNH CAPITAL Performance Equipment Demands Performance Financing.

From protection plans to customized leasing packages, our financial solutions through CNH Capital are engineered for businesses that don't have time for downtime.



Local Support. National Strength.

We back tough equipment with even tougher support. With over 300 dealer locations across North America, CASE delivers the right equipment, financing solutions and after-sale support to keep your business moving forward. That's the kind of boots-on-the-ground business support you can expect — and rely on — from CASE.



Protect Your Investment.

PlusCare

Choose service options that match how hard you work. CASE PlusCare protects your equipment investment with customizable maintenance support tailored to your operation's demands. [Scan QR code for more information >](#)



Planned Maintenance Agreements (PMAs)

Get clear, detailed maintenance plans that maximize performance while driving down operating costs, allowing you to focus on what matters — building your business.

Purchased Protection Plan (PPP)

Get protection beyond the base warranty period for both new and used CASE equipment, with flexible payment options and customizable terms through CNH Capital.

▶▶▶ COUNTLESS SOLUTIONS



Mini Track Loaders



Skid Steer Loaders



Compact Track Loaders



Compact Dozer Loaders



Mini Excavators



Midi Excavators



Small Articulated Loaders



Compact Wheel Loaders



Electric Vehicles



Backhoe Loaders



Tractor Loaders



Rough Terrain Forklifts



Dozers



Large Wheel Loaders



Motor Graders



Wheeled Excavators



Large Excavators

NO ONE WILL OUTWORK US.™



©2025 CNH Industrial America LLC. All rights reserved. CASE and CNH Industrial are trademarks registered in the United States and many other countries, owned by or licensed to CNH Industrial N.V., its subsidiaries or affiliates. Any trademarks referred to herein, in association with goods and/or services of companies other than CNH Industrial America LLC., are the property of those respective companies.

Form No. CCE202510MG
Replaces Form No. CCE202106MG

IMPORTANT: CASE Construction Equipment Inc. reserves the right to change these specifications without notice and without incurring any obligation relating to such change. Availability of some models and equipment builds vary according to the country in which the equipment is used. The illustrations and text may include optional equipment and accessories and may not include all standard equipment. Your CASE dealer/distributor will be able to give you details of the products and their specifications available in your area.

CASE Construction Equipment is biodiesel-friendly.

NOTE: All engines meet current EPA emissions regulations. All specifications are stated in accordance with SAE Standards or Recommended Practices, where applicable.

Always read the Operator's Manual before operating equipment. Inspect equipment before using it, and be sure it is operating properly. Follow the product safety signs and use any safety features provided.